

READ ME ! ⚠

Thank you for purchasing a Front Runner Pro Bed Rack Molle Panel.

Before you start, take a moment to familiarize yourself with the Fitting Instructions and the included components.

Refer to Page 2 for a list of all the components, quantities and tools required.

IMPORTANT WARNING! ⚠

IT IS CRITICAL THAT ALL FRONT RUNNER PRODUCTS BE PROPERLY AND SECURELY ASSEMBLED AND ATTACHED TO YOUR VEHICLE. IMPROPER ATTACHMENT COULD RESULT IN AN AUTOMOBILE ACCIDENT, AND COULD CAUSE SERIOUS BODILY INJURY OR DEATH. YOU ARE RESPONSIBLE FOR ASSEMBLING AND SECURING ALL FRONT RUNNER PRODUCTS TO YOUR VEHICLE, CHECKING THE ATTACHMENTS PRIOR TO USE, AND PERIODICALLY INSPECTING THE PRODUCTS FOR ADJUSTMENT, WEAR AND DAMAGE. THEREFORE, YOU MUST READ AND UNDERSTAND ALL OF THE INSTRUCTIONS AND PRECAUTIONS SUPPLIED WITH YOUR FRONT RUNNER PRODUCT PRIOR TO INSTALLATION OR USE. IF YOU DO NOT UNDERSTAND ALL OF THE INSTRUCTIONS AND CAUTIONS, OR IF YOU HAVE NO MECHANICAL EXPERIENCE AND ARE NOT THOROUGHLY FAMILIAR WITH THE INSTALLATION PROCEDURES, YOU SHOULD HAVE THE PRODUCT INSTALLED BY A PROFESSIONAL INSTALLER OR OTHER QUALIFIED PERSONNEL.

NOTE: Front Runner will not be responsible for any damage caused by the failure to install the product according to these instructions.

Please call us if you have any questions about the installation of this product.



1 GET ORGANIZED

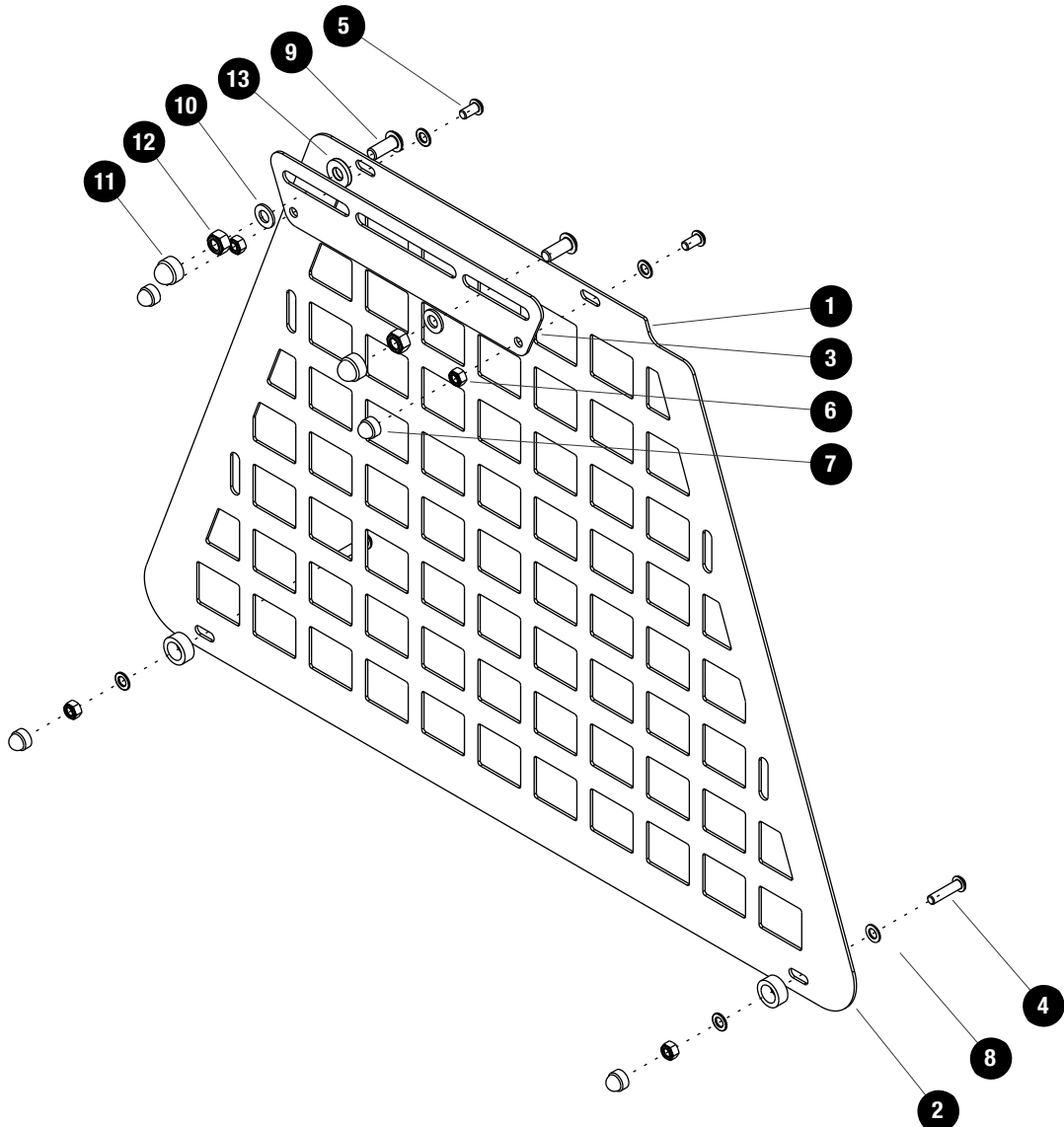
IN THE BOX

1	1 X	Molle Panel
2	2 X	10mm Spacer
3	1 X	Mounting Bracket
4	2 X	M6 x 25mm Button Head Bolt
5	2 X	M6 x 12mm Button Head Bolt
6	4 X	M6 Nyloc Nut
7	4 X	M6 Plastic Nut Cap
8	6 X	M6 Flat Washer
9	2 X	M8 x 20mm Button Head Bolt
10	2 X	M8 x 16mm x 1.6mm Flat Washer
11	2 X	M8 Plastic Nut Cap
12	2 X	M8 Nyloc Nut
13	1 X	M8 x 19mm x 3mm Flat Washer

TOOLS NEEDED

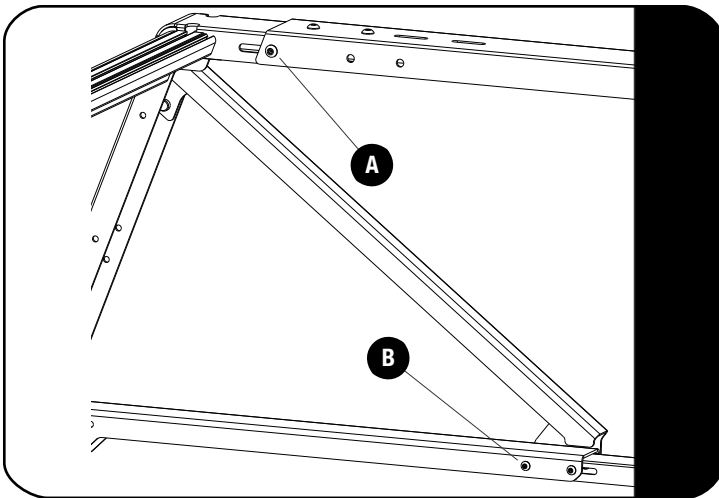


FIGURE 1.1



2**FIT AND SECURE**

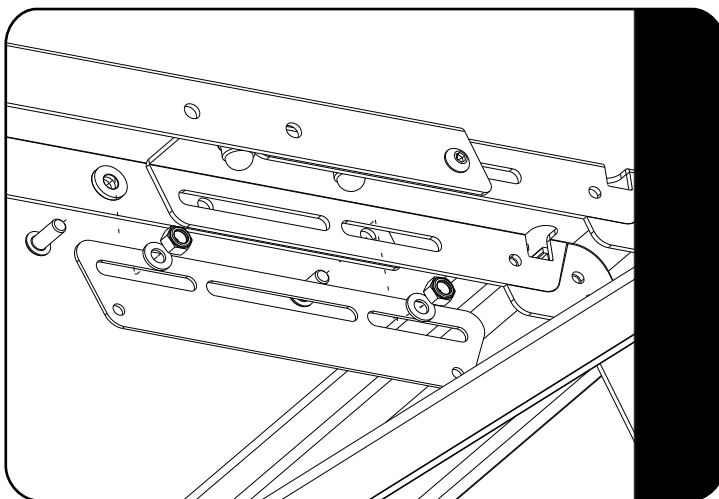
2.1



Remove the M8 Nut Cap, M8 Nylock nut and the M8 Flat Washer from the M8x20mm Button head (item A) seen in Figure 2.1. Leave the M8 Button Head Bolt in place.

Remove the M6 Nut Cap, M6 Nylock Nut, M6 Flat Washer and M6 Button Head Bolt (item B) seen in Figure 2.1. These fasteners will not be used in this fitment.

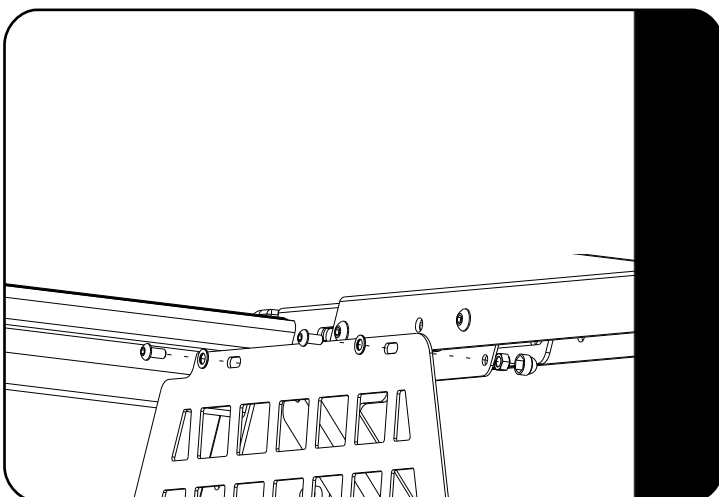
2.2



Insert the Mounting Bracket (item 3) onto the existing M8x20mm Button Head Bolt (item A) and loosely assemble the M8 Washer and M8 Nutlock Nut that was just removed.

Insert a second M8x20mm Button Head Bolt (item 9) into the hole on your Pro Bed Rack that aligns with the Mounting Bracket as seen in Fig 2.2. Add an M8x19mmx3mm Flat Washer (item 13) between the Mounting Bracket and the Pro Bed Rack if there is a gap. Then loosely assemble using an M8x16mmx1.6mm Flat Washer (item 10) and an M8 Nyloc Nut (item 12).

2.3

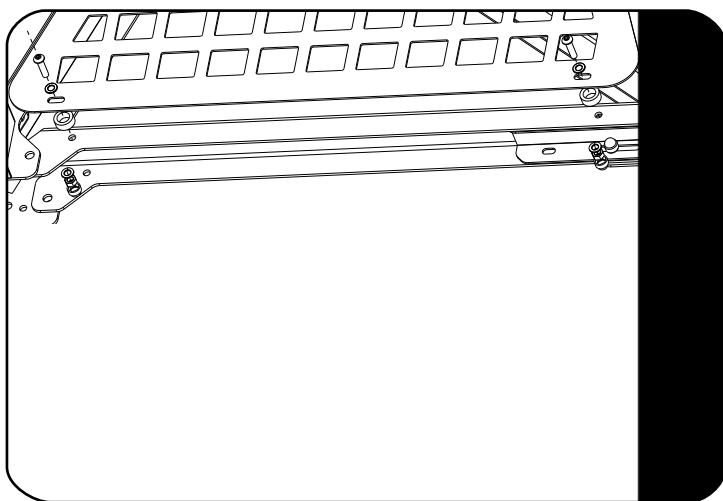


Attached the top of the Molle Panel (item 1) to the Mounting Bracket (item 3) using M6x12mm Button Head Bolts (item 5), M6 Flat washers (item 8), M6 Nylock nut and M6 Nut Caps as seen in Fig 2.3.

2

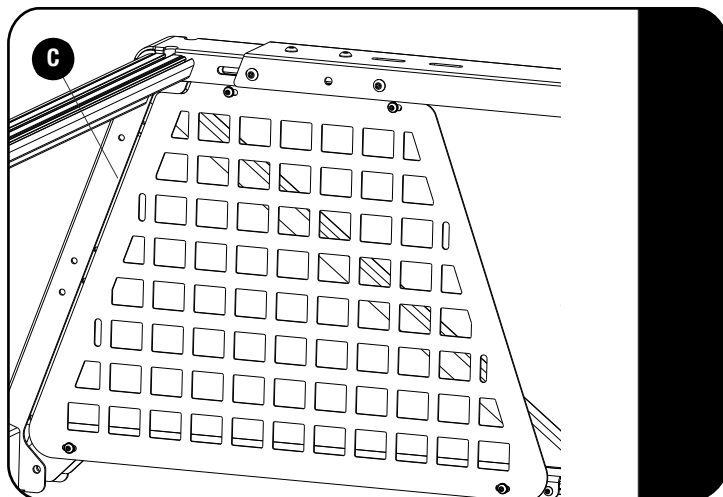
FIT AND SECURE

2.4



Loosly mount the bottom of the Molle Panel using M6x25mm Button Head Bolts (item 4), M6 Flat Washers (item 8), 10mm Spacers (item 2) and M6 Nylock Nuts (item 6).

2.5



Space the Molle Panel (itme 1) 3mm away from the diagonal member (item C) on the Pro Bed Rack and tighten the M6 Button Head Bolts (Item 4) and M8 Button Head Bolts (item 9). Insert M6 & M8 Nut Caps on all remaining Nylock Nuts.

3

FINISH

Congratulations! You did it. Take a step back and admire your work!

4

INSTALL OTHER VEHICLE AND RACK ACCESSORIES

Now's the time to visit your favorite Front Runner Dealer in person or online.

Be sure to tag us. We love to see our gear in action! #FrontRunnerOutfitters #BornToRoam

Share your adventures on:

