**READ ME!**

Thank you for purchasing a Front Runner Universal Drop Down Table.

Before you start, take a moment to familiarize yourself with the Fitting Instructions and the included components.

Refer to Page 2 for a list of all the components, quantities and tools required.

IMPORTANT WARNING!

IT IS CRITICAL THAT ALL FRONT RUNNER PRODUCTS BE PROPERLY AND SECURELY ASSEMBLED AND ATTACHED TO YOUR VEHICLE. IMPROPER ATTACHMENT COULD RESULT IN AN AUTOMOBILE ACCIDENT, AND COULD CAUSE SERIOUS BODILY INJURY OR DEATH. YOU ARE RESPONSIBLE FOR ASSEMBLING AND SECURING ALL FRONT RUNNER PRODUCTS TO YOUR VEHICLE, CHECKING THE ATTACHMENTS PRIOR TO USE, AND PERIODICALLY INSPECTING THE PRODUCTS FOR ADJUSTMENT, WEAR AND DAMAGE. THEREFORE, YOU MUST READ AND UNDERSTAND ALL OF THE INSTRUCTIONS AND PRECAUTIONS SUPPLIED WITH YOUR FRONT RUNNER PRODUCT PRIOR TO INSTALLATION OR USE. IF YOU DO NOT UNDERSTAND ALL OF THE INSTRUCTIONS AND CAUTIONS, OR IF YOU HAVE NO MECHANICAL EXPERIENCE AND ARE NOT THOROUGHLY FAMILIAR WITH THE INSTALLATION PROCEDURES, YOU SHOULD HAVE THE PRODUCT INSTALLED BY A PROFESSIONAL INSTALLER OR OTHER QUALIFIED PERSONNEL.

NOTE: Front Runner will not be responsible for any damage caused by the failure to install the product according to these instructions.

Please call us if you have any questions about the installation of this product.



1 GET ORGANIZED

IN THE BOX

1	1 X	Catch Assembly
2	2 X	Mounting Bracket
3	4 X	M6 Nylon Washer
4	2 X	HDPE Spacer
5	1 X	Table Assembly
6	2 X	Arm Assembly
7	2 X	Screw Insert (6.2x7.9x4mm)
8	1 X	M6 Well Nut
9	2 X	M6 x 16 Button Head Bolt
10	6 X	M6 Nyloc Nut
11	6 X	M6 Nut Cap
12	6 X	M6 Rivnut
13	6 X	M6 x 35 Button Head Bolt

TOOLS NEEDED

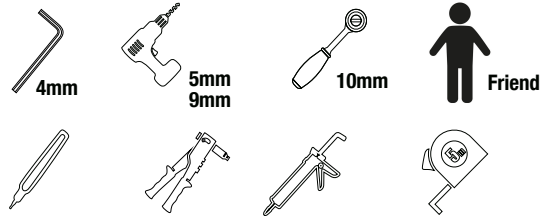
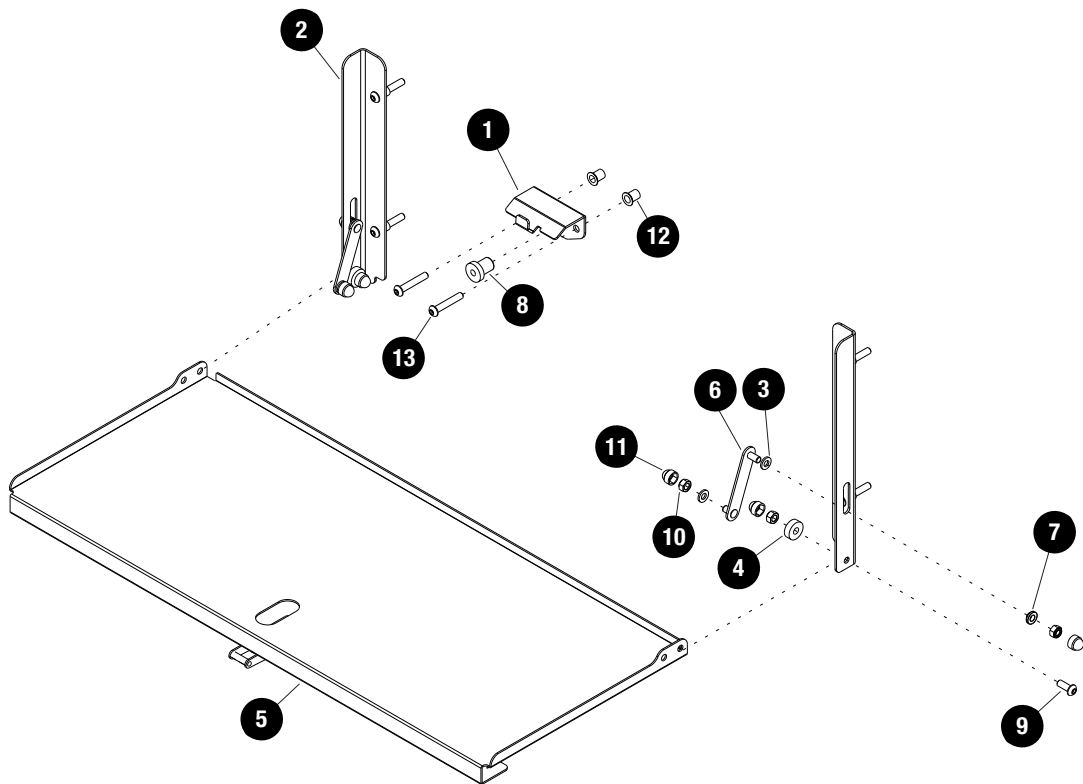


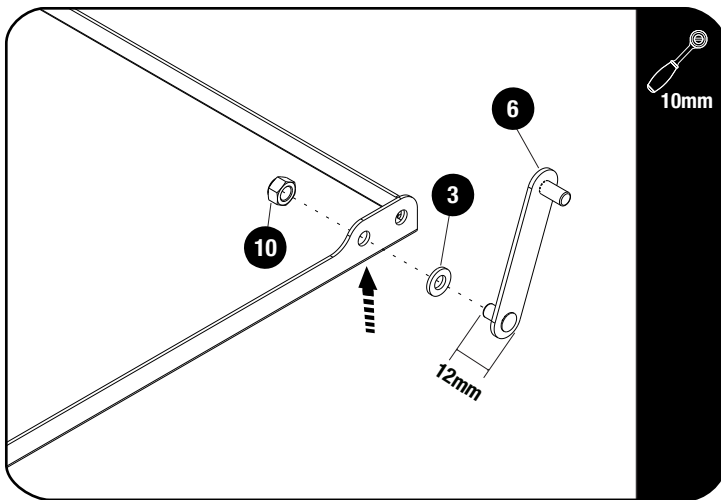
FIGURE 1.1



2

FIT AND SECURE

2.1

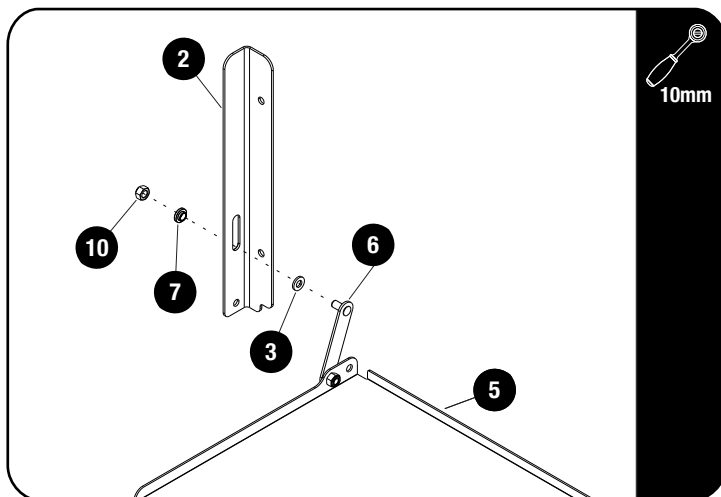


On a flat surface, position the Table Assembly (Item 5) with the latch facing down.

Loosely assemble the Arm Assembly (Item 6) by placing the shorter (12mm) of the two studs into the second hole of the Table Assembly, from the outside. Using one M6 Nylon Washer (Item 3) in between the table and arm, and a M6 Nyloc Nut (Item 10).

Follow this step to assemble both arms - one on each side.

2.2



Loosely assemble the Mounting Brackets (Item 2) by inserting the longer remaining stud of the Arm Assembly (Item 6) into the slot of the the Mounting Bracket, with a M6 Nylon Washer (Item 3) in between, as shown.

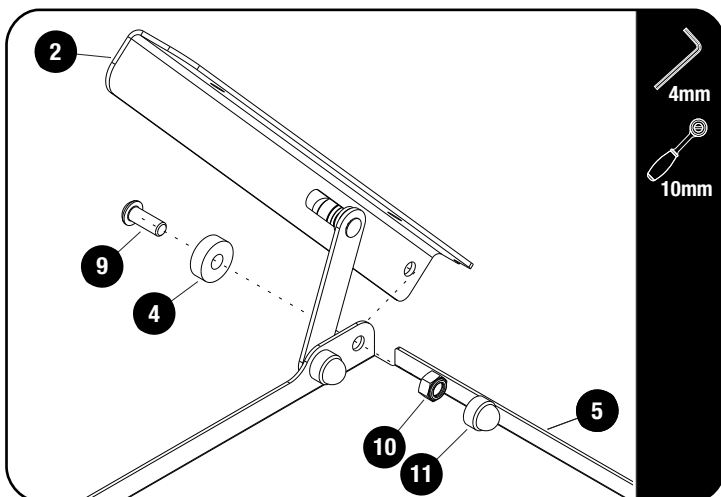
Place a Screw Insert (Item 7) over the stud and into the slot. Fasten with a M6 Nyloc Nut (Item 10), but do not tighten yet.



Take note of the Mounting Bracket orientation, as shown.

Follow this step to assemble both Mounting Brackets - one on each side.

2.3



Align the bottom hole of the Mounting Bracket (Item 2) with the first hole on the Table Assembly (Item 5) with an HDPE Spacer (Item 4) in between the Mounting Bracket and the Table Assembly.

Loosely assemble using a M6 x 16 Button Head Bolt (Item 9) and a M6 Nyloc Nut (Item 10).

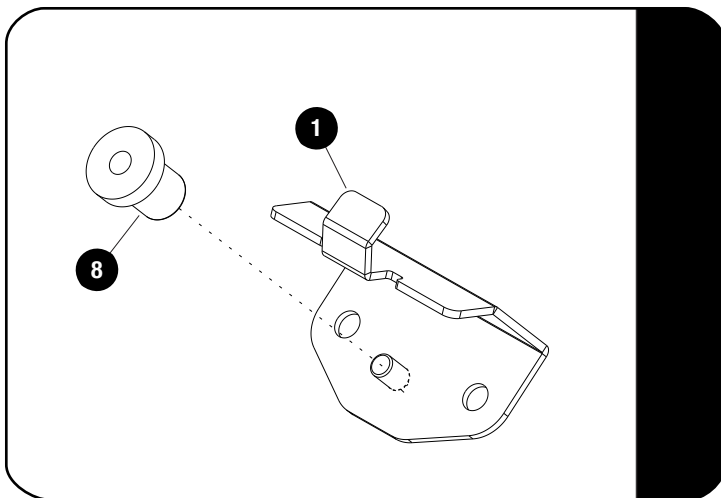
Tighten all Nyloc Nuts so components are secure but still sliding/swiveling smoothly.

Place a M6 Nut Cap (Item 11) on each Nyloc Nut, as shown.

2

FIT AND SECURE

2.4



Assemble the Catch Assembly (Item 1) by attaching the M6 Well Nut (Item 8) to the stud in the middle of the Catch Assembly.



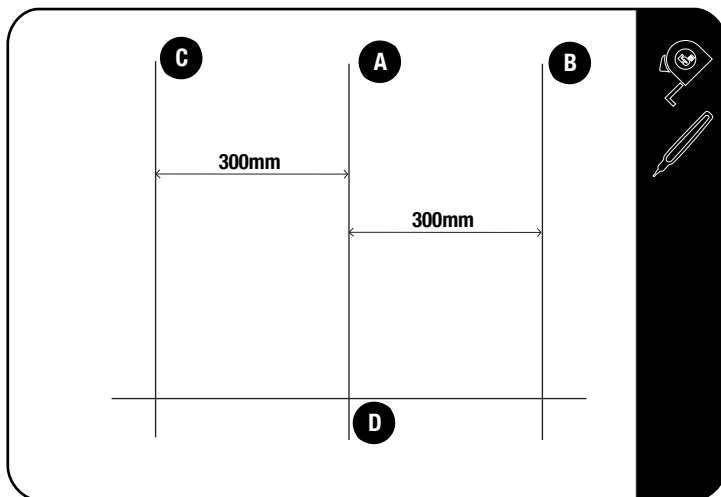
If Mounting on a Suzuki Jimny, move on to the VACC152 Fitment Guide at this point.



The mounting method described hereafter is for typical applications. Fasteners for non-typical applications can be purchased from your local hardware store.

All mounting holes are 6.5mm in diameter (M6).

2.5



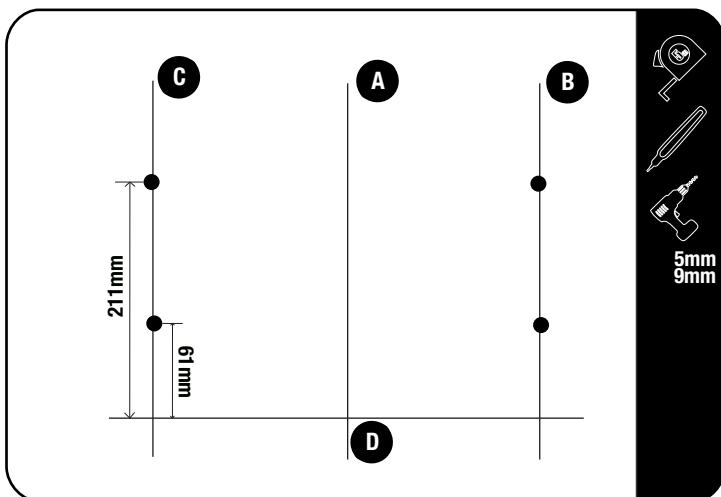
Pick a suitable flat surface to which your Universal Drop Down Table must be secured.

Measure to the middle of the surface and make a mark (A). Measure 300mm on either side of this line and make a mark (B & C).

Measure to the height that you would like the table to be, in the open position and make a mark (D).

Make sure all lines are level and at 90 degrees to eachother.

2.6

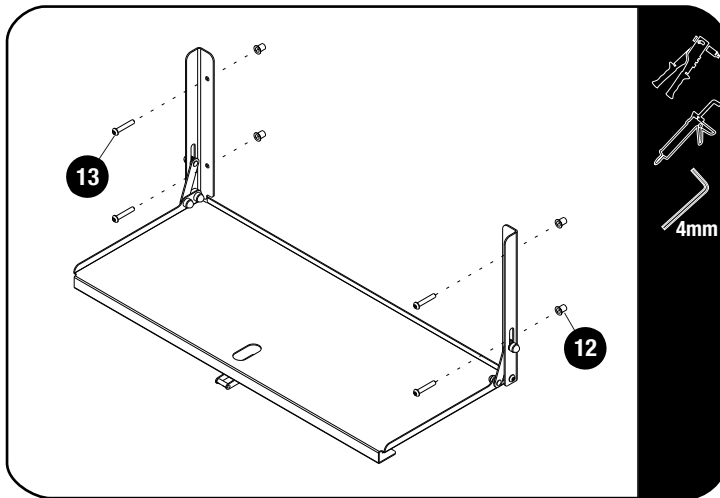


From the line marked D, measure up 61mm and 211mm on line B & C. Mark these points.

Make sure that these marks coincide with the middle of each mounting hole in the Mounting Brackets.

Drill pilot holes on the marks you have made, using a 5mm Drill Bit, as shown. Open these holes to 9mm.

2.7



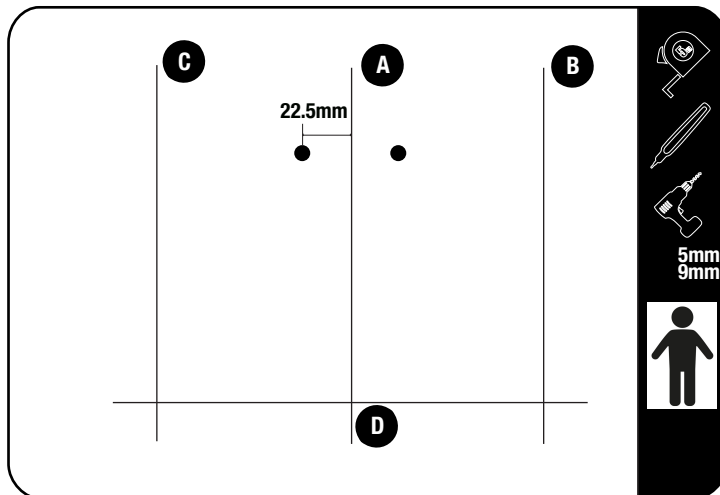
Apply a bead of silicone around each hole.

Insert and set a M6 Rivnut (Item 12) in each of the holes drilled in step 2.6.

Apply a bead of silicone in and around each M6 Rivnut.

Mount the Universal Drop Down Table using four M6 x 35 Button Head Bolts (Item 13), as shown.

2.8

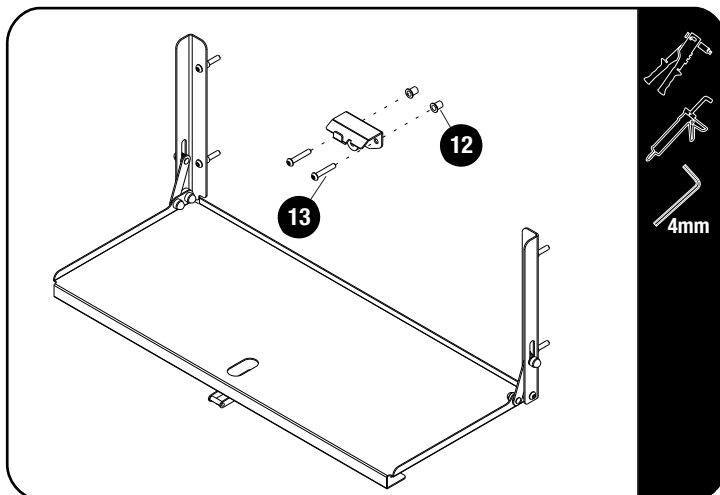


Measure 22.5mm on either side of the middle line (A) and mark these positions.

Ask a friend to hold the Catch Assembly (Item 1) against the mounting surface and keep the table latched in the closed position. Mark the holes of the catch assembly on the mounting surface and make sure that the catch is level.

Drill pilot holes on the marks you have made, using a 5mm Drill Bit, as shown. Open these holes to 9mm.

2.9



Apply a bead of silicone around each hole.

Insert and set a M6 Rivnut (Item 12) in each of the holes drilled in step 2.8.

Apply a bead of silicone in and around each M6 Rivnut.

Mount the Catch Assembly using two M6 x 35 Button Head Bolts (Item 13), as shown.

3

FINISH

Congratulations! You did it. Take a step back and admire your work!

4

INSTALL OTHER VEHICLE AND RACK ACCESSORIES

Now's the time to visit your favorite Front Runner dealer in person or online.

Be sure to tag us. We love to see our gear in action! #FrontRunnerOutfitters #BornToRoam

Share your adventures on: 