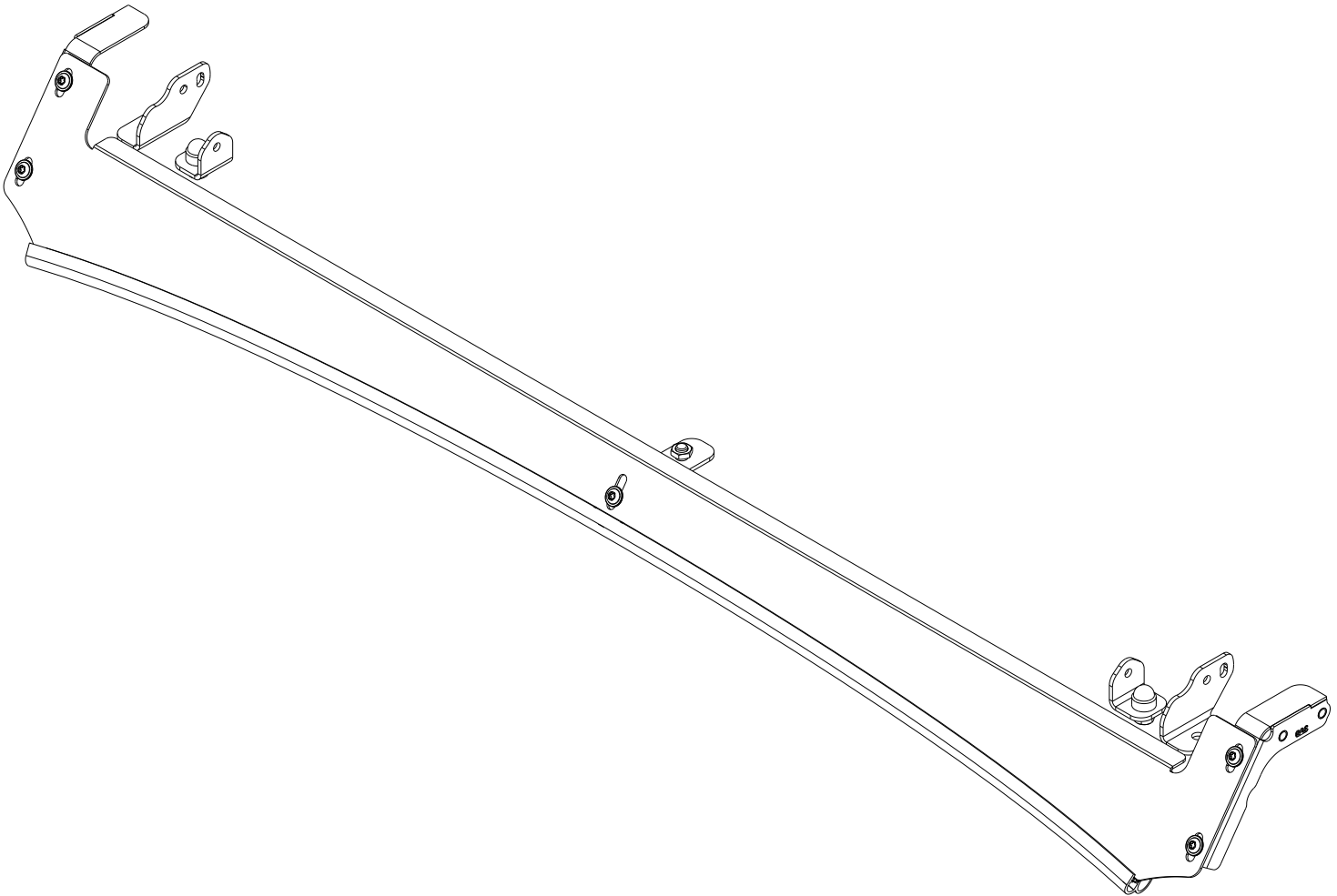


FRONT RUNNER

**ISUZU D-MAX (2020-CURRENT)
MAZDA BT50 (2020-CURRENT) SLIMSPORT RACK
40" LIGHT BAR WIND FAIRING**

ENG

RRAC309



READ ME !

Thank you for purchasing a Front Runner Isuzu D-Max (2020-Current) Slimsport Rack 40" Light Bar Wind Fairing. Before you start, take a moment to familiarize yourself with the Fitting Instructions and the included components. Refer to Page 2 for a list of all the components, quantities and tools required.

IMPORTANT WARNING!

IT IS CRITICAL THAT ALL FRONT RUNNER PRODUCTS BE PROPERLY AND SECURELY ASSEMBLED AND ATTACHED TO YOUR VEHICLE. IMPROPER ATTACHMENT COULD RESULT IN AN AUTOMOBILE ACCIDENT, AND COULD CAUSE SERIOUS BODILY INJURY OR DEATH. YOU ARE RESPONSIBLE FOR ASSEMBLING AND SECURING ALL FRONT RUNNER PRODUCTS TO YOUR VEHICLE, CHECKING THE ATTACHMENTS PRIOR TO USE, AND PERIODICALLY INSPECTING THE PRODUCTS FOR ADJUSTMENT, WEAR AND DAMAGE. THEREFORE, YOU MUST READ AND UNDERSTAND ALL OF THE INSTRUCTIONS AND PRECAUTIONS SUPPLIED WITH YOUR FRONT RUNNER PRODUCT PRIOR TO INSTALLATION OR USE. IF YOU DO NOT UNDERSTAND ALL OF THE INSTRUCTIONS AND CAUTIONS, OR IF YOU HAVE NO MECHANICAL EXPERIENCE AND ARE NOT THOROUGHLY FAMILIAR WITH THE INSTALLATION PROCEDURES, YOU SHOULD HAVE THE PRODUCT INSTALLED BY A PROFESSIONAL INSTALLER OR OTHER QUALIFIED PERSONNEL.

NOTE: Front Runner will not be responsible for any damage caused by the failure to install the product according to these instructions. Please call us if you have any questions about the installation of this product.



1 GET ORGANIZED

IN THE BOX

1	1 X	Light Bar Wind Fairing
2	1 X	Wind Fairing LH Support Bracket
3	1 X	Wind Fairing RH Support Bracket
4	1 X	Wind Fairing Mid Support Bracket
5	2 X	Light Bar Bracket High Profile LH & RH
6	2 X	Light Bar Bracket Low Profile LH & RH
7	9 X	M6 x 16 Flange Button Head Screw
8	1 X	M8 x 12 Button Head Screw
9	1 X	M8 Thin Nut
10	2 X	M8 x 16 Hex Bolt
11	2 X	M8 Nyloc Nut
12	2 X	M8 Nut Cap
13	1 X	Rubber Seal 1407mm Long
14	1 X	M8 Schnorr Washer

TOOLS NEEDED

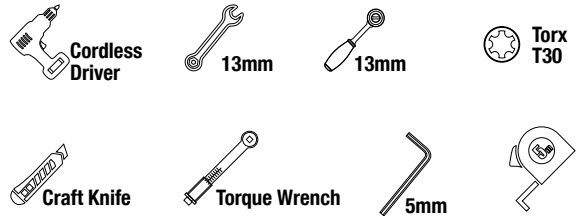
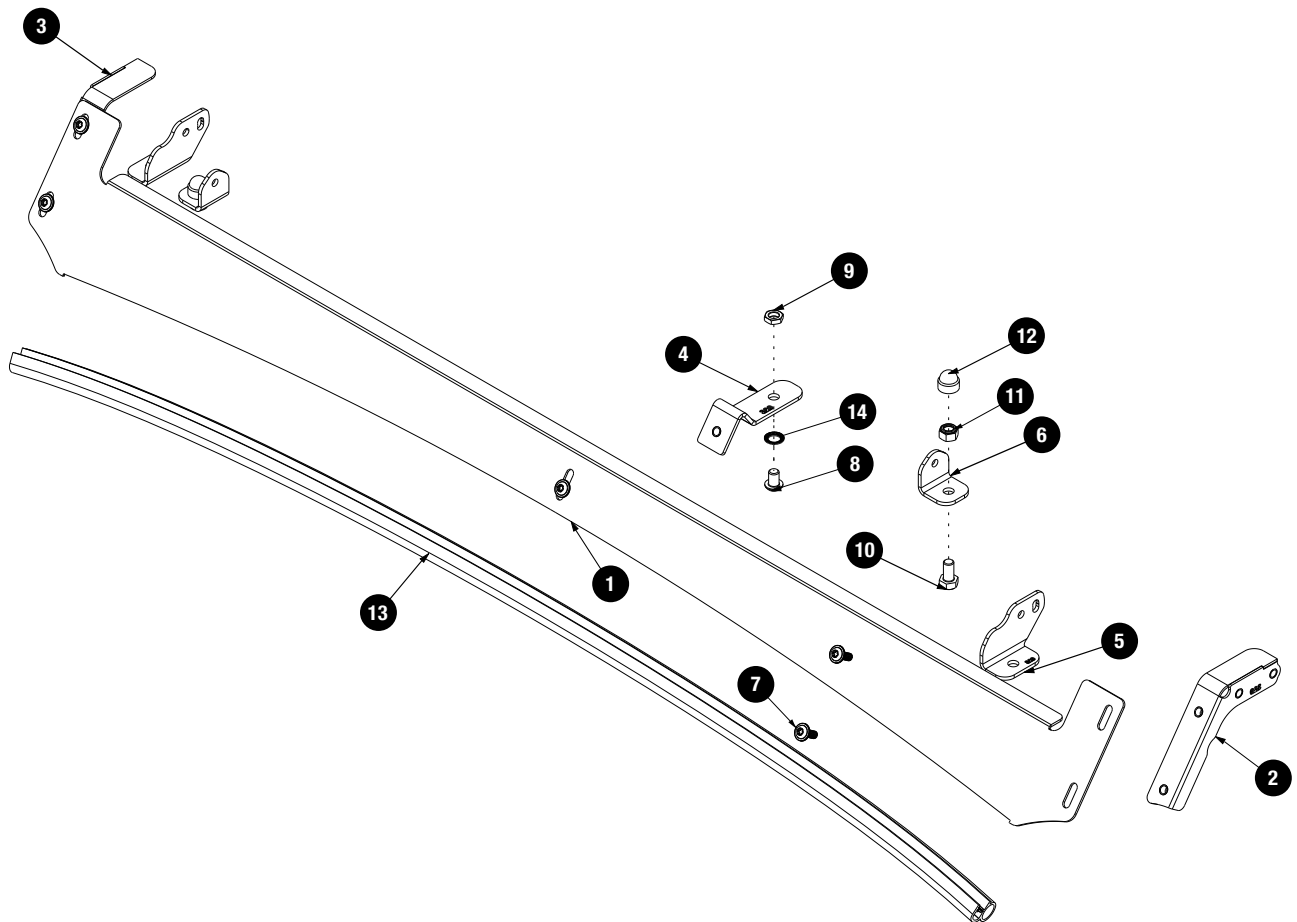


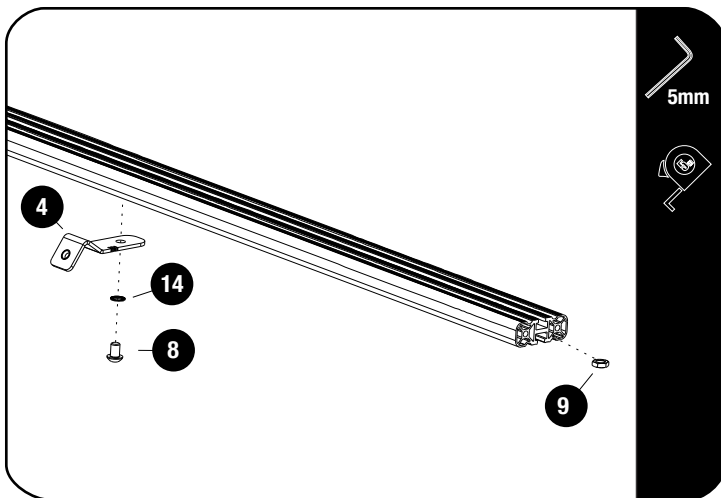
FIGURE 1.1



2

FIT AND SECURE

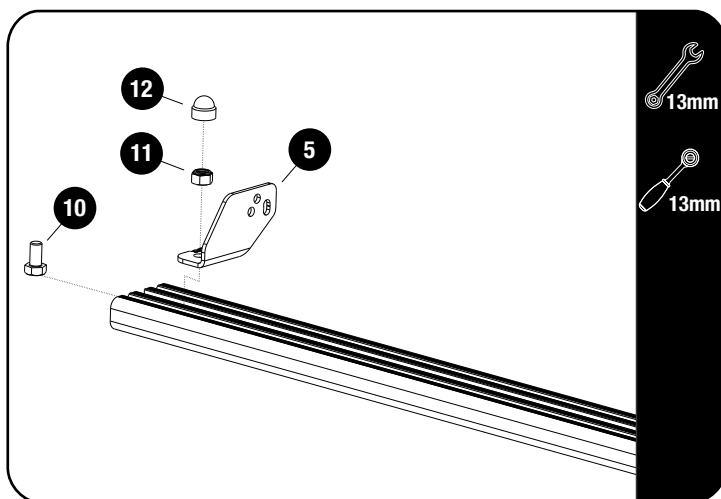
2.1



Start by removing the Front Slat from the Roof Rack.

Slide one M8 Thin Nut (Item 9) into the T-Slot of the front slat. Center the Mid Support Bracket (Item 4) in the Middle of the slat using a tape measure and secure using a Schnorr Washer and M8 x 12 Button Head Bolt (Item 8 & 14). Fully tighten.

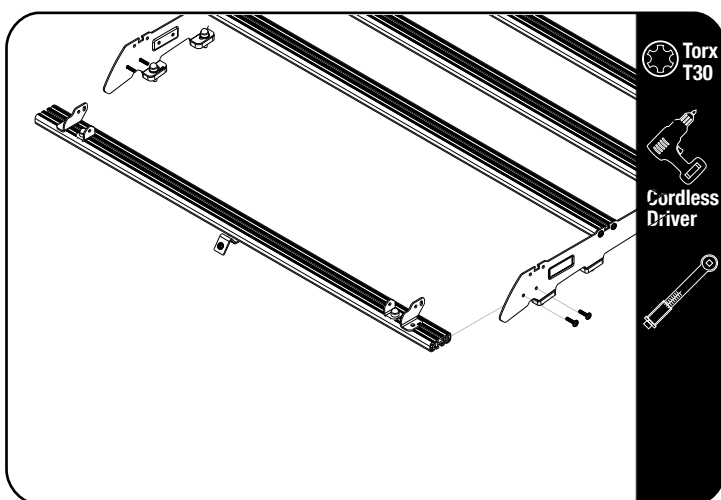
2.2



Fit the Light Bar Bracket 01 LH / RH (Item 5 & 6) for for the 40" Light Bar, using M8 x 16 Hex Bolt & M8 Nyloc Nut (Items 10 & 11). Fit the light bar and center it on the slat before fully tightening the brackets.

Place M8 Nut Caps (Item 12) over all Hex Bolts.

2.3



Secure assembly 2.2 to the front two Bottom holes on the foot rails using the fasteners supplied with KSID001.



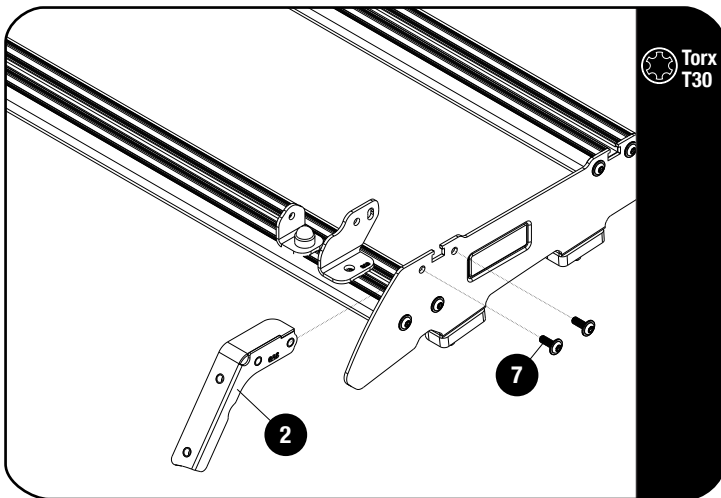
Tightening Torque 8-10Nm / 5.9 ft lb - 7.38 ft lb.



Use a little Oil / Anti-Seize on screw threads before inserting. Note these are Thread forming screws.

2**FIT AND SECURE**

2.4

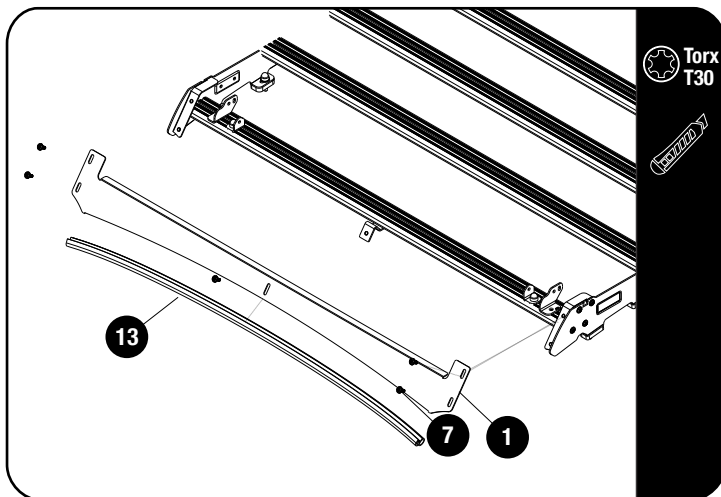


Secure the Wind Fairing Side supports LH / RH (Item 2 & 3) to the foot rails top holes as shown using M6 x 16 Flange Button Heads (Item 7).



Tightening Torque 8-10Nm / 5.9 ft lb - 7.38 ft lb.

2.5



Fit the Wind Fairing Rubber (Item 13) to the Light Bar Wind Fairing (Item 1). Using the notched section as a guide, trim if needed.

Secure the Light Bar Wind Fairing assembly to the rack assembly, using M6 x 16 Flange Button Heads (Item 7) and fully tighten.



Tightening Torque 8-10Nm / 5.9 ft lb - 7.38 ft lb.

3**FINISH**

Congratulations! You did it. Take a step back and admire your work!

4**INSTALL OTHER VEHICLE AND RACK ACCESSORIES**

Now's the time to visit your favorite Front Runner Dealer in person or online.

Be sure to tag us. We love to see our gear in action! #FrontRunnerOutfitters #BornToRoam

Share your adventures on:

