

READ ME!

Thank you for purchasing a Front Runner Bronco Wood Tray Extension For Drop Down Table.
Before you start, take a moment to familiarize yourself with the Fitting Instructions and the included components.
Refer to Page 2 for a list of all the components, quantities and tools required.

IMPORTANT WARNING!

IT IS CRITICAL THAT ALL FRONT RUNNER PRODUCTS BE PROPERLY AND SECURELY ASSEMBLED AND ATTACHED TO YOUR VEHICLE. IMPROPER ATTACHMENT COULD RESULT IN AN AUTOMOBILE ACCIDENT, AND COULD CAUSE SERIOUS BODILY INJURY OR DEATH. YOU ARE RESPONSIBLE FOR ASSEMBLING AND SECURING ALL FRONT RUNNER PRODUCTS TO YOUR VEHICLE, CHECKING THE ATTACHMENTS PRIOR TO USE, AND PERIODICALLY INSPECTING THE PRODUCTS FOR ADJUSTMENT, WEAR AND DAMAGE. THEREFORE, YOU MUST READ AND UNDERSTAND ALL OF THE INSTRUCTIONS AND PRECAUTIONS SUPPLIED WITH YOUR FRONT RUNNER PRODUCT PRIOR TO INSTALLATION OR USE. IF YOU DO NOT UNDERSTAND ALL OF THE INSTRUCTIONS AND CAUTIONS, OR IF YOU HAVE NO MECHANICAL EXPERIENCE AND ARE NOT THOROUGHLY FAMILIAR WITH THE INSTALLATION PROCEDURES, YOU SHOULD HAVE THE PRODUCT INSTALLED BY A PROFESSIONAL INSTALLER OR OTHER QUALIFIED PERSONNEL.

NOTE: Front Runner will not be responsible for any damage caused by the failure to install the product according to these instructions.
Please call us if you have any questions about the installation of this product.



1 GET ORGANIZED

IN THE BOX

1	1 X	Tray Extension
2	2 X	M6 x 25 Button Head Bolt
3	2 X	M6 x 40 Button Head Bolt
4	8 X	M6 x 20 x 2 Flat Washers
5	1 X	M6 x 12 Cap Screw
6	4 X	M6 Jack Nuts
7	1 X	Jack Nut Tool
8	2 X	M6 x 30 Button Head Bolt
9	2 X	Aluminium Spacers

TOOLS NEEDED

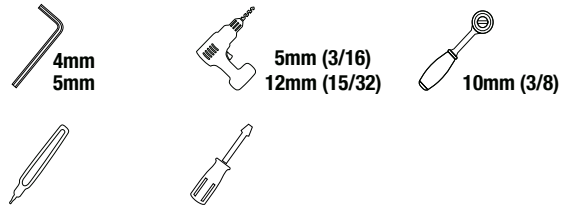
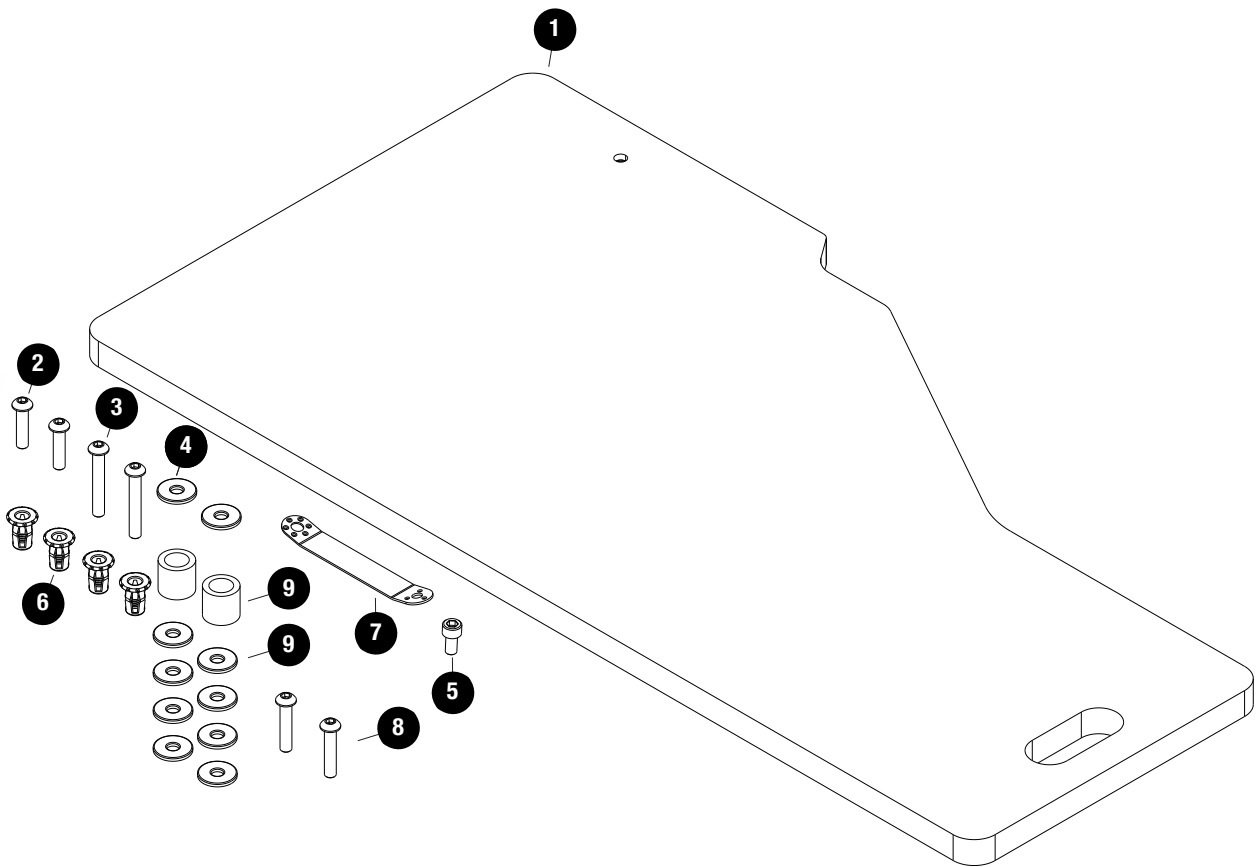


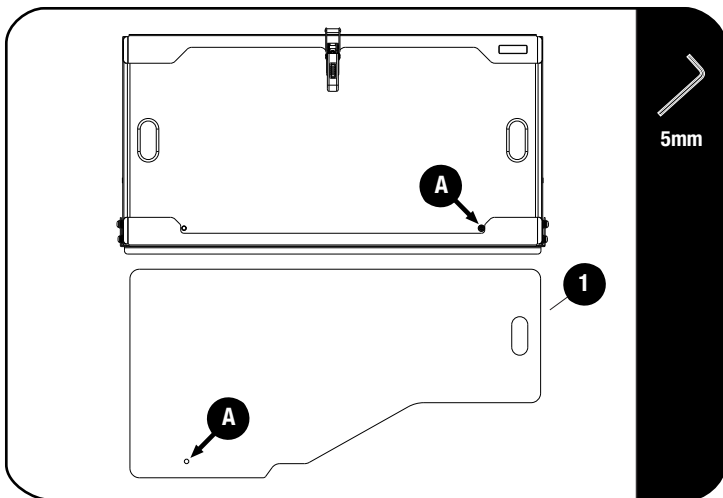
FIGURE 1.1



2

FIT AND SECURE

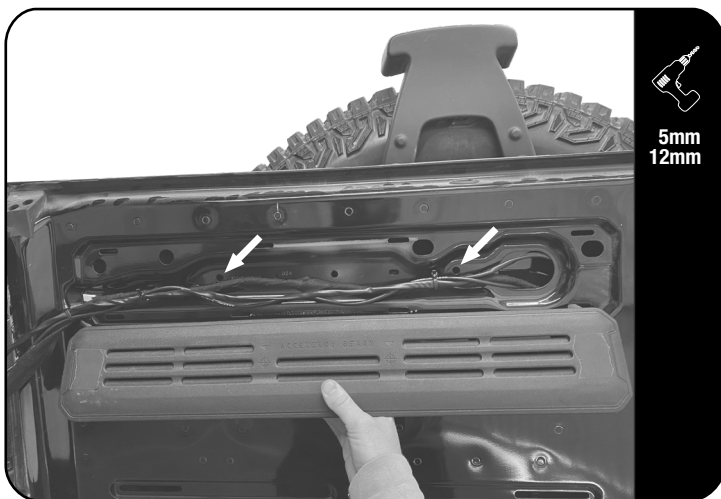
2.1



Remove the Tray Extension supplied with TBRA034 by removing Bolt (A) as shown.

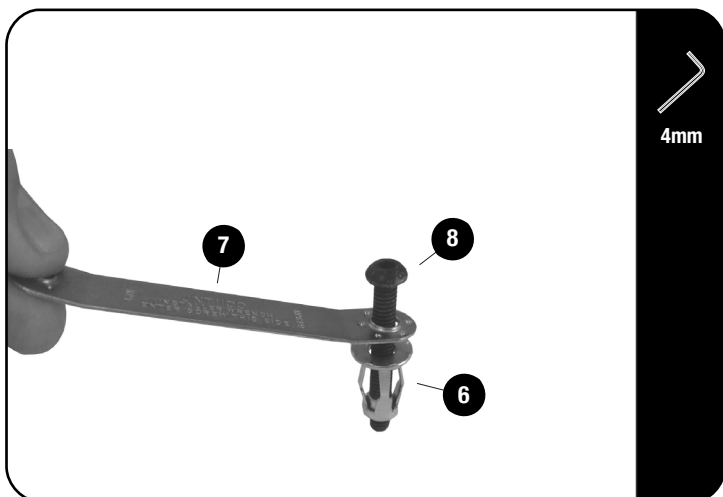
Insert the Tray Extension (Item 1) supplied with TBRA040 in the orientation shown and use the M6 x 12 Cap Screw (Item 5) to secure the Tray Extension to the table

2.2



Remove the rear plastic cover as shown. Open the holes shown in 2.2 to a 12mm hole.

2.3



Insert a M6 x 30 Button Head Bolt (Item 8) into the Jack Nut Tool (Item 7) and loosely fit a Jack Nut (Item 6) to the button head bolt as shown.

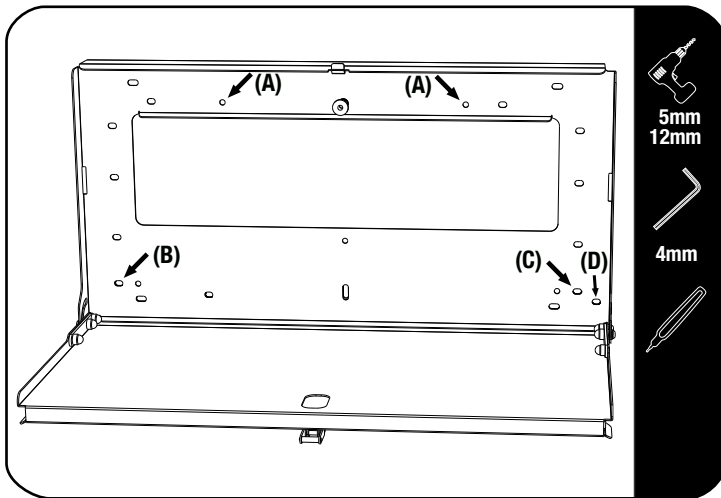
Using the Jack Nut Tool and a M6 x 30 button head bolt, set the M6 jack nut into both the holes, opened in step 2.2.

Using a cordless driver and a 4mm allen cordless bit, set the jack nut into the hole while holding the Jack Nut Tool, to prevent the Jack Nut from turning.

2

FIT AND SECURE

2.4



Fit the table to the door using the two holes marked (A) into the jack nuts set in step 2.3
Mark hole positions (B) and (C) onto the door.

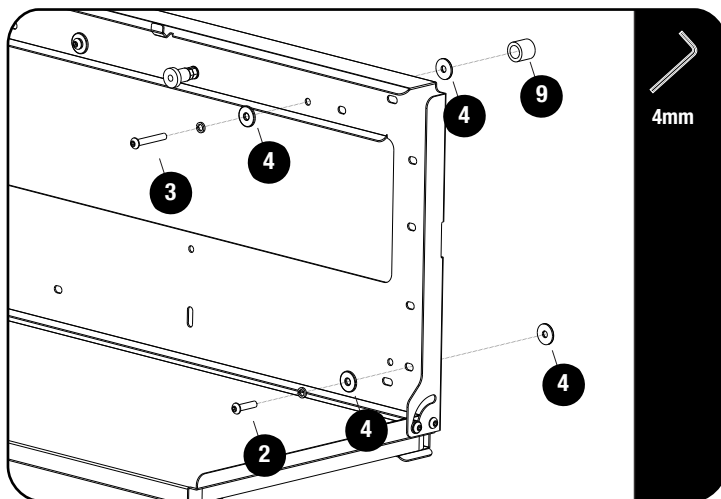


Note: For Bronco's with the Sasquatch trim Package, mark holes (B) and (D).

Remove the table and drill the two marked holes starting with a 5mm pilot hole and opening to a 12mm.

Set the two lower Jack Nuts into the door as done in Step 2.3.

2.5



Secure the Table using M6 x 25 Button Head Bolts (at the bottom), M6 x 40 Button Head Bolts (at the top), M6 Spring Washers (Supplied with TBRA034), M6 x 20 x 2 Flat Washers and Aluminium Spacers (Items 2, 3, 4 & 9).



Tightening Torque:

M6 : 8-10Nm / 5.9 ft lb - 7.38 ft lb

3

FINISH

Congratulations! You did it. Take a step back and admire your work!

4

INSTALL OTHER VEHICLE AND RACK ACCESSORIES

Now's the time to visit your favorite Front Runner dealer in person or online.

Be sure to tag us. We love to see our gear in action! #FrontRunnerOutfitters #BornToRoam

Share your adventures on:

