

# START HERE!

## READ ME FIRST

Don't be a hero and muscle through this installation without reading these fitting instructions first! Improper installation of this gear may void certain aspects of your warranty.

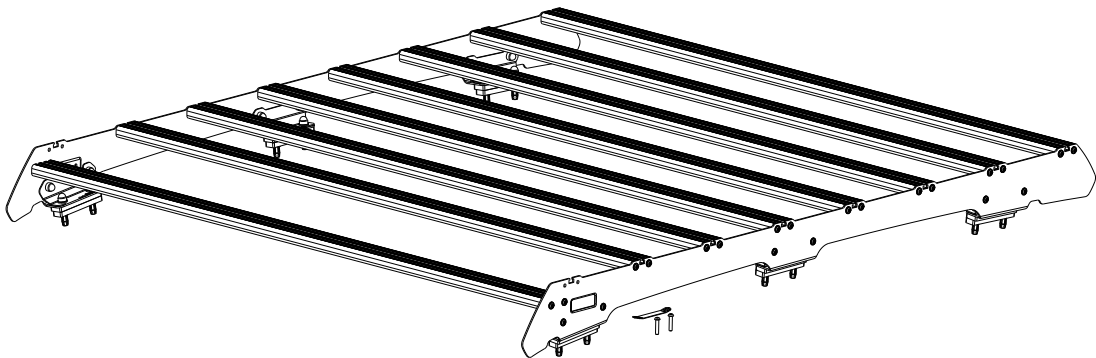
Before you begin, take a moment and open all your Front Runner rack kit boxes and gather the assembly instructions for the various components.

A complete kit will contain:

1. A Front Runner Mounting System specific to your vehicle
2. A Front Runner Rack Tray or Load Bar Slats

This document will guide you through the assembly of the mounting system and assist you in fitting the roof rack tray or load bars to your specific vehicle.

Please refer to the next page for a list of all the components, quantities and tools required.



### IMPORTANT WARNING!

IT IS CRITICAL THAT ALL FRONT RUNNER PRODUCTS BE PROPERLY AND SECURELY ASSEMBLED AND ATTACHED TO YOUR VEHICLE. IMPROPER ATTACHMENT COULD RESULT IN AN AUTOMOBILE ACCIDENT, AND COULD CAUSE SERIOUS BODILY INJURY OR DEATH. YOU ARE RESPONSIBLE FOR ASSEMBLING AND SECURING ALL FRONT RUNNER PRODUCTS TO YOUR VEHICLE, CHECKING THE ATTACHMENTS PRIOR TO USE, AND PERIODICALLY INSPECTING THE PRODUCTS FOR ADJUSTMENT, WEAR AND DAMAGE. THEREFORE, YOU MUST READ AND UNDERSTAND ALL OF THE INSTRUCTIONS AND PRECAUTIONS SUPPLIED WITH YOUR FRONT RUNNER PRODUCT PRIOR TO INSTALLATION OR USE. IF YOU DO NOT UNDERSTAND ALL OF THE INSTRUCTIONS AND CAUTIONS, OR IF YOU HAVE NO MECHANICAL EXPERIENCE AND ARE NOT THOROUGHLY FAMILIAR WITH THE INSTALLATION PROCEDURES, YOU SHOULD HAVE THE PRODUCT INSTALLED BY A PROFESSIONAL INSTALLER OR OTHER QUALIFIED PERSONNEL.

**NOTE:** Front Runner will not be responsible for any damage caused by the failure to install the product according to these instructions.

Please call us if you have any questions about the installation of this product.



# 1 GET ORGANIZED

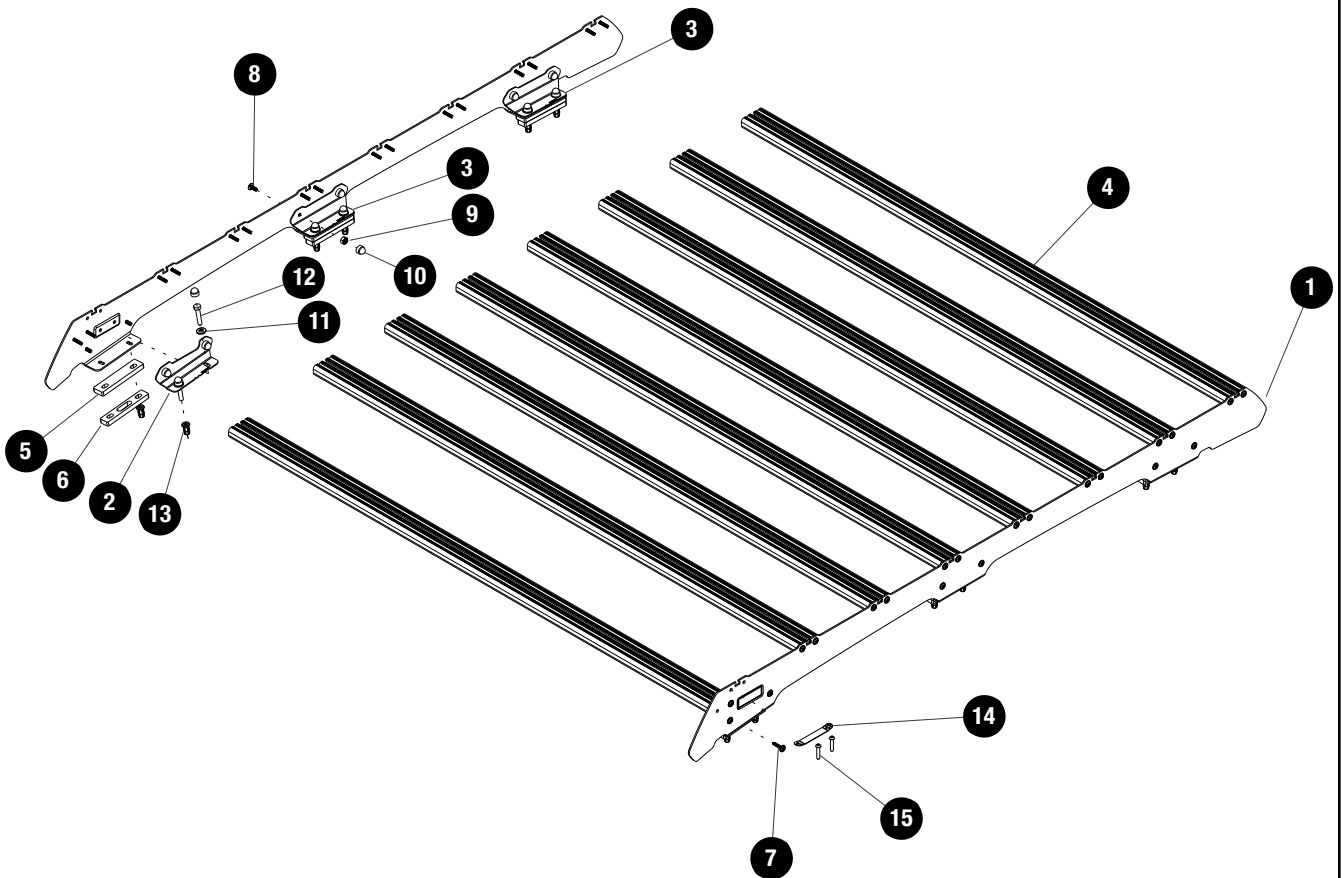
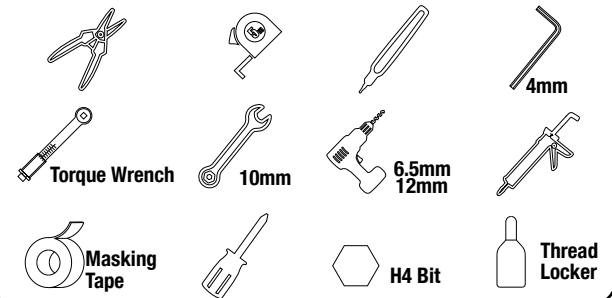
## IN THE BOX

1	2 X	Foot Rail (1 LH & 1 RH)
2	2 X	Stiffener Plate 02 Front (1 LH & 1 RH)
3	4 X	Stiffener Plate 01 Mid and Rear (2 LH & 2 RH)
4	8 X	Standard Slat (1360mm Long)
5	6 X	Top Spacer
6	6 X	Bottom Spacer
7	32 X	M6 x 20 Button Head Screw
8	12 X	M6 x 16 Button Head Screw
9	12 X	M6 Nyloc Nut
10	24 X	M6 Nut Cap
11	12 X	M6 x 19 x 1 Flat Washer
12	12 X	M6 x 40 Hex Bolt

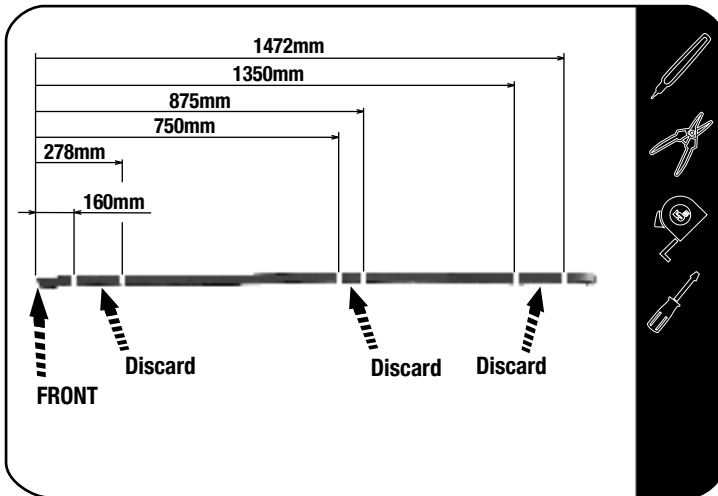
## IN THE BOX

13	12 X	M6 Long Jack Nut
14	1 X	M6 Jack Nut Tool
15	2 X	M6 x 30 Button Head Bolt

## TOOLS NEEDED



2.1

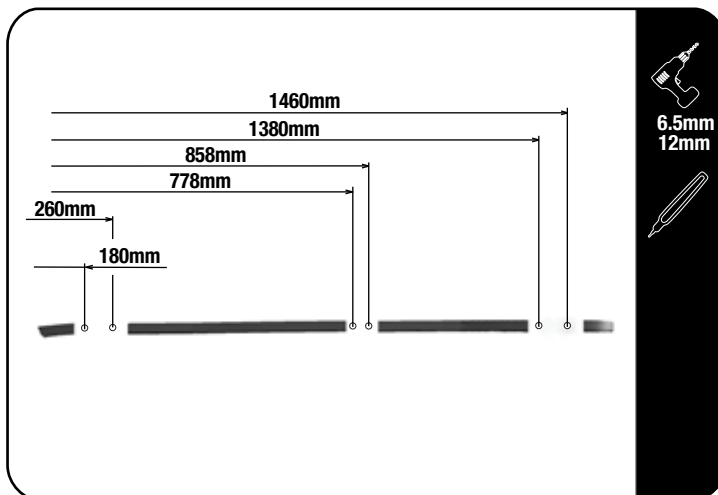


Starting at the top edge of the windscreen as shown, measure along the centre line of the ditch towards the rear of the vehicle. Mark the ditch molding at the following points as shown in fig 2.1.

Using a flat screw driver and starting from the front of the vehicle, lift and remove the two ditch moldings running along either side of the roof.

Using a pair of snips, cut the ditch moulding on each of the marks you made and clip the remaining moldings back into the ditch according to the distances shown.

2.2



Mark the location of each hole, using the same method as in 2.1, at the distances shown in fig 2.2.

Verify that the markings line up with the slots of the Bottom Spacers (Item 6), by placing the spacer in the ditch, before drilling the mounting holes.

Before drilling, remove bottom spacer. Drill a 6.5mm pilot hole in the center of each mark. Open the holes using a 12mm Drill.

2.3



Insert the M6 Button Head Bolt (Item 15) into the one side of the Jack Nut Tool (Item 14). Loosely fit a Jack Nut (Item 13) to the Button Head Bolt as shown. Using the Jack Nut Tool and a M6 x 30 Button Head Bolt, insert the M6 Jack Nuts into all holes on both sides. Place the assembly into the hole drilled. Using a Battery Powered Screw Driver and a H4 Allen Key Bit, set the Jack Nut into the hole while holding onto the handle of the Jack Nut Tool.



Make sure the Jack Nut has pulled up all the way to the inside skin of the roof panel.



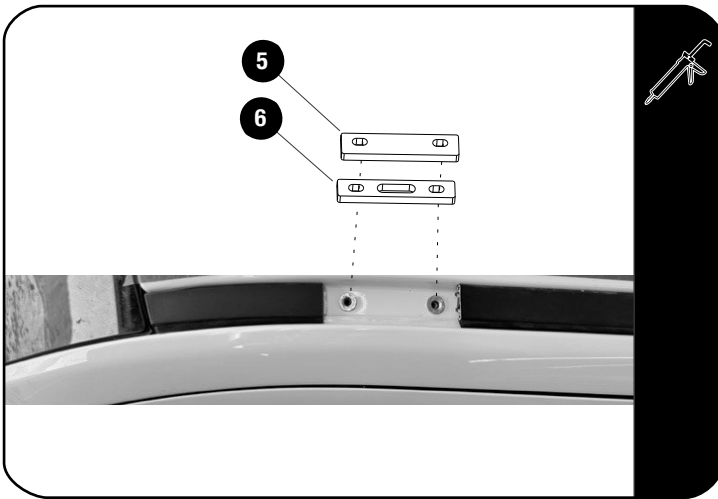
**Tightening Torque:**

M6 : 8-10Nm / 5.9 ft lb - 7.38 ft lb

2

## FIT AND SECURE

2.4



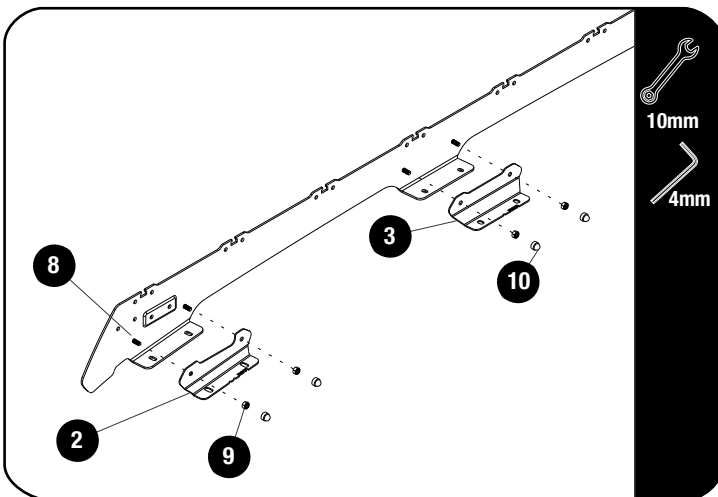
Place a bead of silicone around and over each of the Jack Nuts inserted in 2.5.

Place the Bottom and Top Spacers (Items 5 & 6) over the Jack Nuts as shown. Fill the Spacer holes with silicone before moving on to the next step.

3

## FIT AND SECURE

3.1



Secure the Front Stiffener Plate 02 (Item 2) to the front of the Foot Rail (Item 1) using M6 x 16 Button Head Bolts and M6 Nyloc Nuts (Items 8 and 9).

Secure the Rear - and Mid Stiffener Plate 01 (Item 3) in the same manner as above.

Finish off by placing M6 Nut Caps (Item 10) on the M6 Nyloc Nuts.

Repeat on both sides.



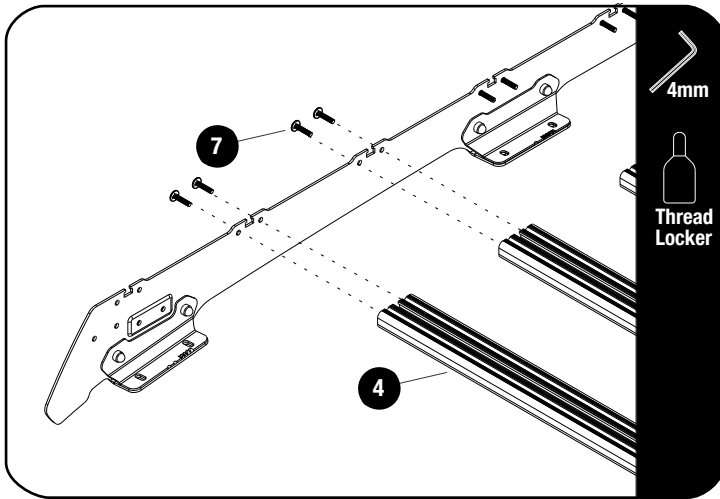
### Tightening Torque:

M6 : 8-10Nm / 5.9 ft lb - 7.38 ft lb

3

FIT AND SECURE

3.2



Assemble Standard Slats (Item 4) to the foot rail assemblies shown in 3.1, using M6 x 20 Button Head Bolts (Item 7) and leave off the front slat.



Use a little Thread Locker on the Bolt Threads

Take care when using a cordless driver.

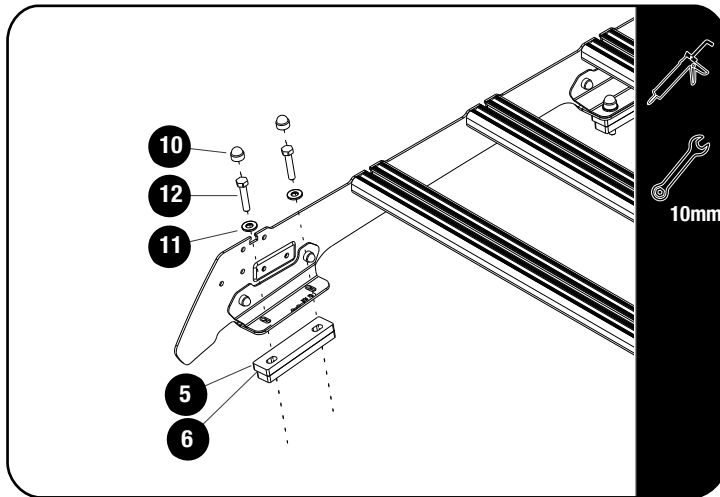
Do you fit the front slat yet.



**Tightening Torque:**

M6 : 8-10Nm / 5.9 ft lb - 7.38 ft lb

3.3



Place the Rack Assembly shown in 3.2 on top of the Top and Bottom Spacers (Item 5 & 6).

Apply silicone on the threads of the M6x40 Hex Bolts (Item 12) and secure the Assembly using M6x19x1 Flat Washers (Item 11) and Jack Nuts inserted in step 2.3.

Do this on both the left and right side of the vehicle.

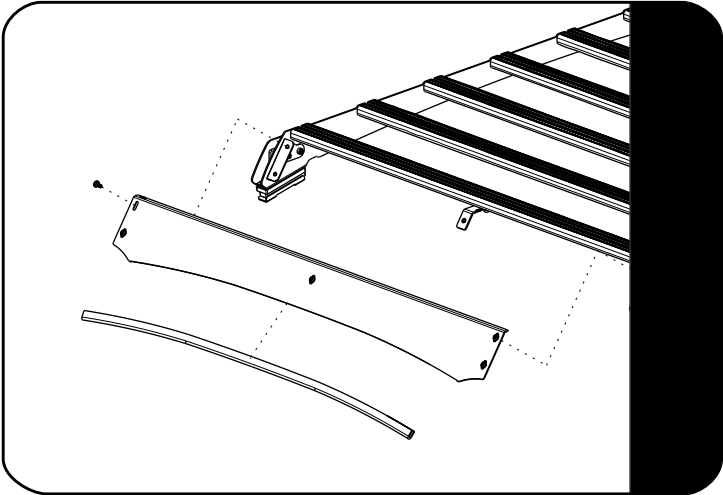
Finish off by placing M6 Nut Caps (Item 10) on the M6 Hex Bolt heads.

**4**

**FIT AND SECURE**

**4.1**

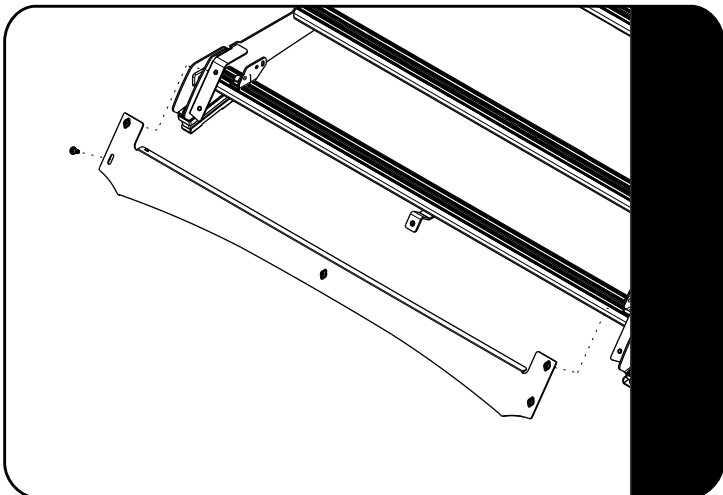
**STANDARD WIND FAIRING ASSEMBLY**



Refer to fitment guide RRAC279

**4.2**

**LIGHT BAR WIND FAIRING ASSEMBLY**



Refer to fitment guide RRAC280

5

## COMPLETION

5.1

Congratulations! You did it. Take a step back and admire your work!



6

## INSTALL OTHER VEHICLE AND RACK ACCESSORIES

Now's the time to visit your favorite Front Runner dealer in person or online.

### IMPORTANT!

FRONT RUNNER RACK KITS OFTEN HAVE A HIGHER LOAD RATING THAN THE VEHICLES THEY ARE MOUNTED TO. PLEASE REFER TO YOUR SPECIFIC VEHICLE MANUFACTURER FOR A RECOMMENDED ROOF RATING. FRONT RUNNER CANNOT BE RESPONSIBLE FOR IMPROPER LOADING BEYOND THE VEHICLE MANUFACTURER'S STATED LOAD CAPACITY.

Be sure to tag us. We love to see our gear in action! #FrontRunnerOutfitters #BornToRoam

Share your adventures on: 