

READ ME !

Thank you for purchasing a Front Runner Subaru Outback Gen 6 (2020 - Current) Slimsport Rack Wind Fairing. Before you start, take a moment to familiarize yourself with the Fitting Instructions and the included components. Refer to Page 2 for a list of all the components, quantities and tools required.

IMPORTANT WARNING!

IT IS CRITICAL THAT ALL FRONT RUNNER PRODUCTS BE PROPERLY AND SECURELY ASSEMBLED AND ATTACHED TO YOUR VEHICLE. IMPROPER ATTACHMENT COULD RESULT IN AN AUTOMOBILE ACCIDENT, AND COULD CAUSE SERIOUS BODILY INJURY OR DEATH. YOU ARE RESPONSIBLE FOR ASSEMBLING AND SECURING ALL FRONT RUNNER PRODUCTS TO YOUR VEHICLE, CHECKING THE ATTACHMENTS PRIOR TO USE, AND PERIODICALLY INSPECTING THE PRODUCTS FOR ADJUSTMENT, WEAR AND DAMAGE. THEREFORE, YOU MUST READ AND UNDERSTAND ALL OF THE INSTRUCTIONS AND PRECAUTIONS SUPPLIED WITH YOUR FRONT RUNNER PRODUCT PRIOR TO INSTALLATION OR USE. IF YOU DO NOT UNDERSTAND ALL OF THE INSTRUCTIONS AND CAUTIONS, OR IF YOU HAVE NO MECHANICAL EXPERIENCE AND ARE NOT THOROUGHLY FAMILIAR WITH THE INSTALLATION PROCEDURES, YOU SHOULD HAVE THE PRODUCT INSTALLED BY A PROFESSIONAL INSTALLER OR OTHER QUALIFIED PERSONNEL.

NOTE: Front Runner will not be responsible for any damage caused by the failure to install the product according to these instructions. Please call us if you have any questions about the installation of this product.



1 GET ORGANIZED

IN THE BOX

1	1 X	Wind Fairing
2	2 X	Side Bracket Assembly - 1 LH & 1 RH
3	2 X	Center Bracket Assembly
4	1 X	Wind Fairing Rubber - 950mm
5	10 X	M6 x 16 Button Head Flange Bolt
6	2 X	M8 x 16 Hex Bolt
7	2 X	M8 Nyloc Nut
8	2 X	M8 Nut Cap

TOOLS NEEDED



Craft Knife

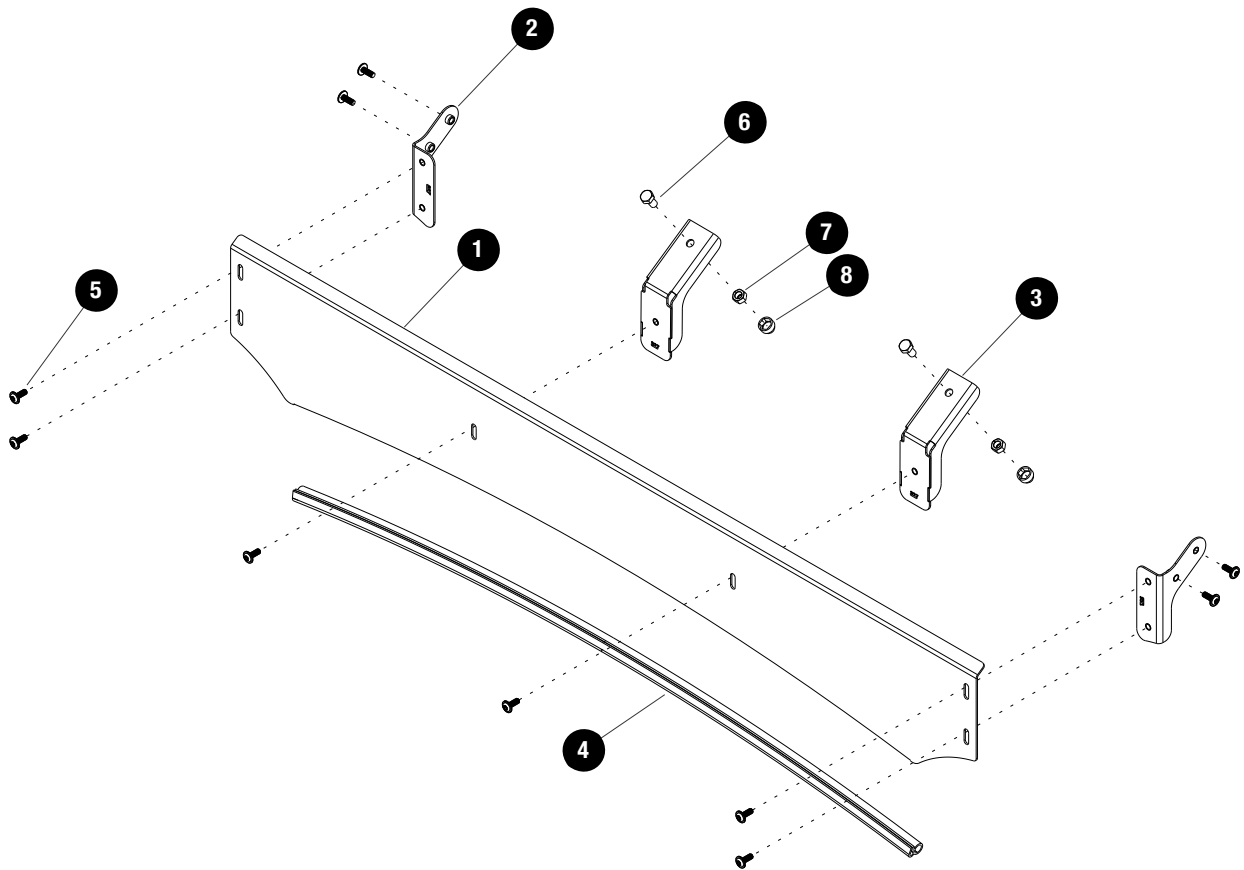


13mm



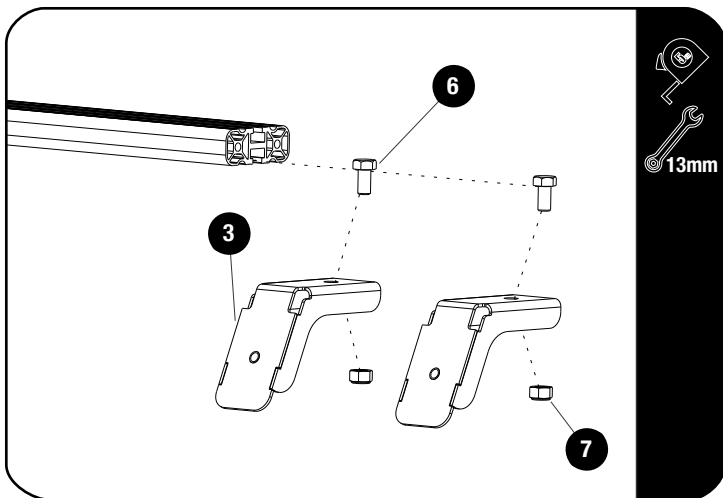
Torx T30

FIGURE 1.1



2**FIT AND SECURE**

2.1

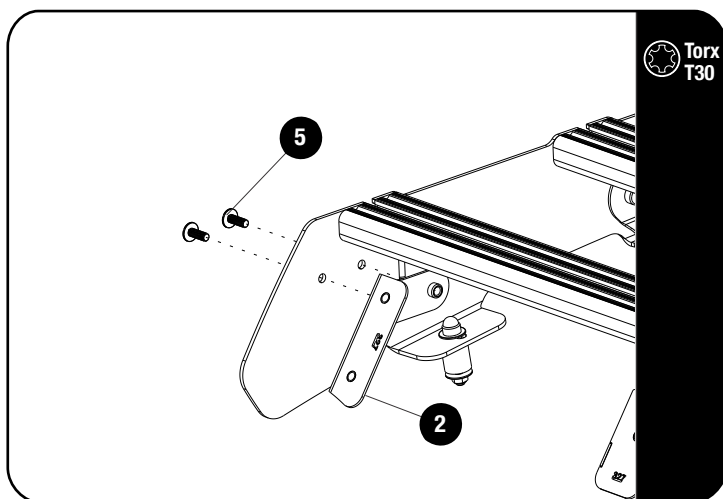


Start by Removing the Front Slat of the Roof Rack.

Slide two M8 x 16 Hex Bolts (Item 6) into the bottom T-Slot of the Front Slat. Using the Wind Fairing as a guide position the Center Support Assemblies (Item 3) so that each one aligns with one of the middle holes and loosely secure using two M8 Nyloc Nuts (Item 7). Do Not Tighten yet.

Replace the Front Slat

2.2

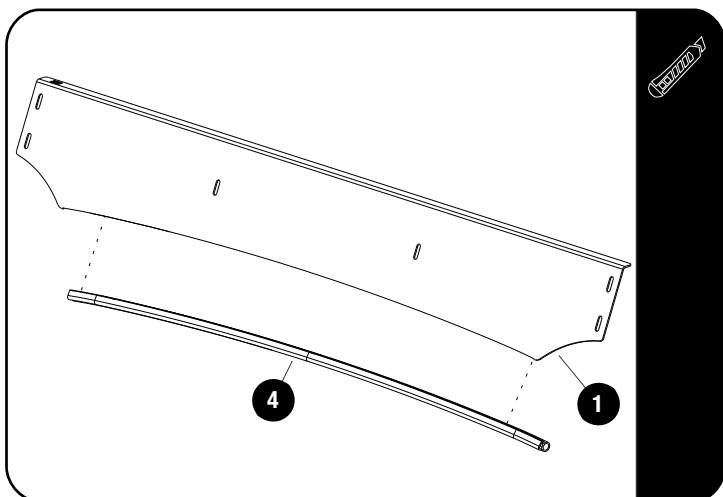


Secure the Side Support Assemblies LH & RH (Item 2) to the foot rails bottom holes as shown using M6 x 16 Button Head Flange Bolts (Item 5). Fully tighten.

**Tightening Torque:**

M6 : 8-10Nm / 5.9 ft lb - 7.38 ft lb

2.3

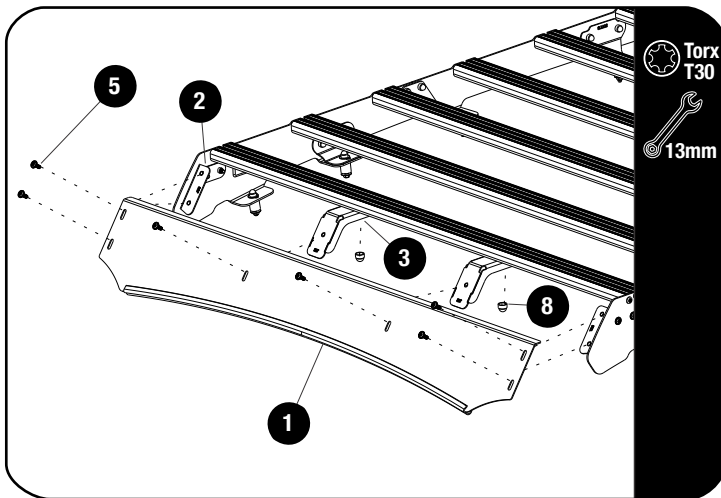


Fit the Wind Fairing Rubber (Item 4) to the Wind Fairing (Item 1). Using the notched section as a guide, trim if needed.

2

FIT AND SECURE

2.4



Secure the Wind Fairing (Item 1) first to the Side Support Assemblies (Item 2), using M6 x 16 Button Head Flange Bolts (Item 5).

Align the Center Support Assemblies (Item 3) with the corresponding slots on the Wind Fairing (Item 1) and secure using M6 x 16 Button Head Flange Bolts (Item 5).

Adjust the Fairing height.

Tighten all fasteners and place a M8 Nut Cap (Item 8) on each M8 Nyloc Nut.



Tightening Torque:

M8 : 15-20Nm / 11.06 ft lb - 14.75 ft lb



Tightening Torque:

M6 : 8-10Nm / 5.9 ft lb - 7.38 ft lb

3

FINISH

Congratulations! You did it. Take a step back and admire your work!

4

INSTALL OTHER VEHICLE AND RACK ACCESSORIES

Now's the time to visit your favorite Front Runner Dealer in person or online.

Be sure to tag us. We love to see our gear in action! #FrontRunnerOutfitters #BornToRoam

Share your adventures on: 