

START HERE!

READ ME FIRST

Don't be a hero and muscle through this installation without reading these fitting instructions first! Improper installation of this gear may void certain aspects of your warranty.

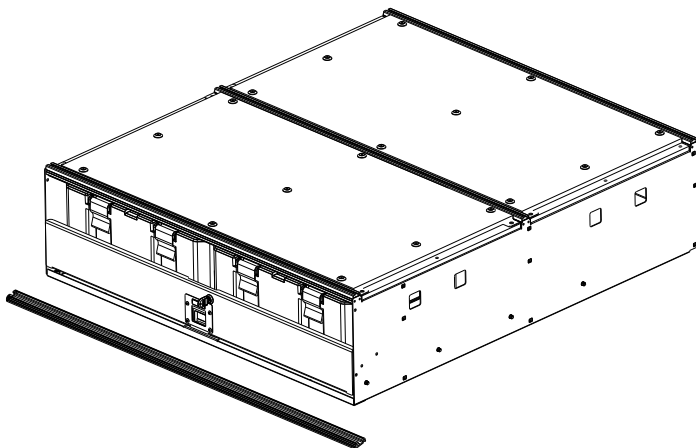
Before you begin, take a moment and open all your Front Runner rack kit boxes and gather the assembly instructions for the various components.

A complete kit will contain:

1. A Front Runner Mounting System specific to your vehicle
2. A Front Runner Rack Tray or Load Bar Slats

This document will guide you through the assembly of the mounting system and assist you in fitting the roof rack tray or load bars to your specific vehicle.

Please refer to the next page for a list of all the components, quantities and tools required.



IMPORTANT WARNING!

IT IS CRITICAL THAT ALL FRONT RUNNER PRODUCTS BE PROPERLY AND SECURELY ASSEMBLED AND ATTACHED TO YOUR VEHICLE. IMPROPER ATTACHMENT COULD RESULT IN AN AUTOMOBILE ACCIDENT, AND COULD CAUSE SERIOUS BODILY INJURY OR DEATH. YOU ARE RESPONSIBLE FOR ASSEMBLING AND SECURING ALL FRONT RUNNER PRODUCTS TO YOUR VEHICLE, CHECKING THE ATTACHMENTS PRIOR TO USE, AND PERIODICALLY INSPECTING THE PRODUCTS FOR ADJUSTMENT, WEAR AND DAMAGE. THEREFORE, YOU MUST READ AND UNDERSTAND ALL OF THE INSTRUCTIONS AND PRECAUTIONS SUPPLIED WITH YOUR FRONT RUNNER PRODUCT PRIOR TO INSTALLATION OR USE. IF YOU DO NOT UNDERSTAND ALL OF THE INSTRUCTIONS AND CAUTIONS, OR IF YOU HAVE NO MECHANICAL EXPERIENCE AND ARE NOT THOROUGHLY FAMILIAR WITH THE INSTALLATION PROCEDURES, YOU SHOULD HAVE THE PRODUCT INSTALLED BY A PROFESSIONAL INSTALLER OR OTHER QUALIFIED PERSONNEL.

NOTE: Front Runner will not be responsible for any damage caused by the failure to install the product according to these instructions.

Please call us if you have any questions about the installation of this product.

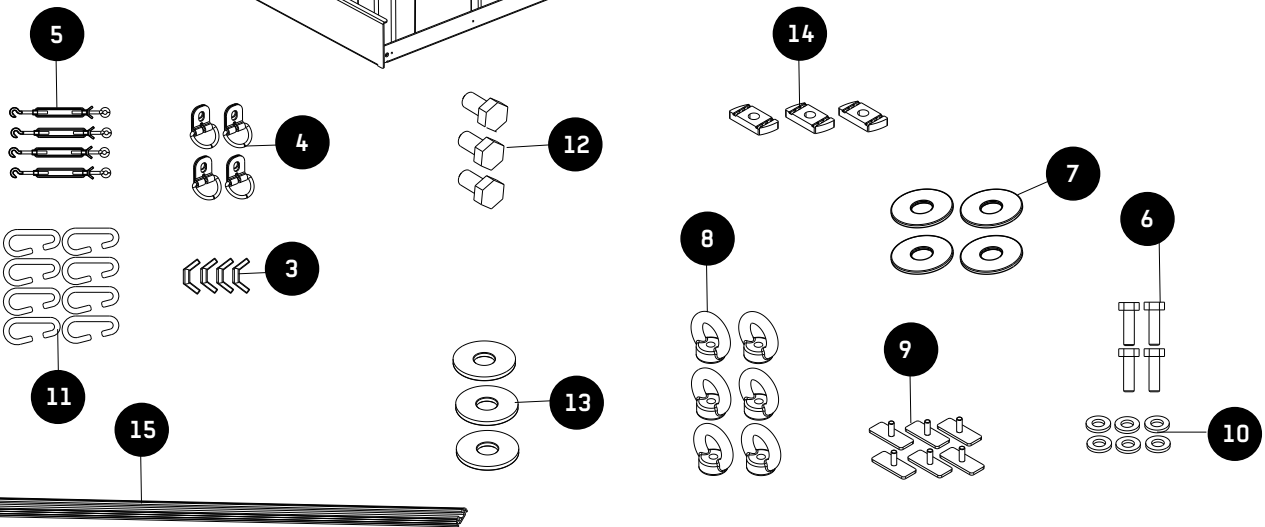
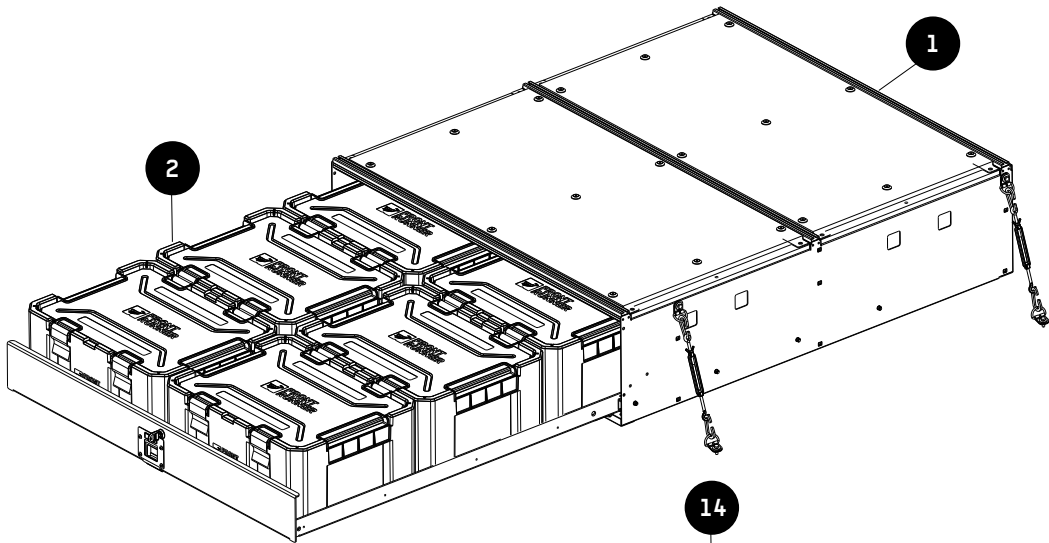


1 GET ORGANIZED

IN THE BOX

1	1 X	6 Pro Wolf Pack Drawer System
2	6 X	Pro Wolf Box
3	4 X	Wing Nut
4	4 X	D-Ring
5	4 X	Turn Buckle
6	4 X	M6 x 20 Hex Bolt
7	4 X	M6 x 19 Flat Washer
8	6 X	M6 Eye Nut
9	6 X	Stud Plate
10	6 X	M6 Nylon Washer
11	8 X	60mm C-Hook
12	3 X	M8 x 16 Hex Bolt
13	3 X	M8 x 25 Flat Washer
14	3 X	M8 Channel Nut
15	1 X	Track (1200mm-ALE010)

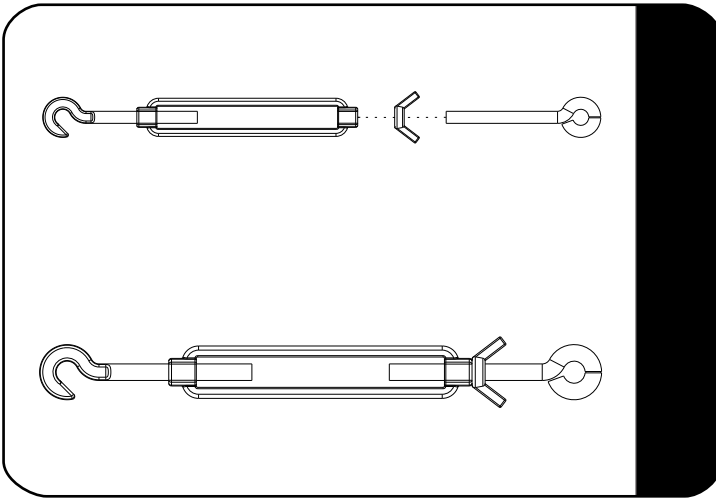
TOOLS NEEDED



2

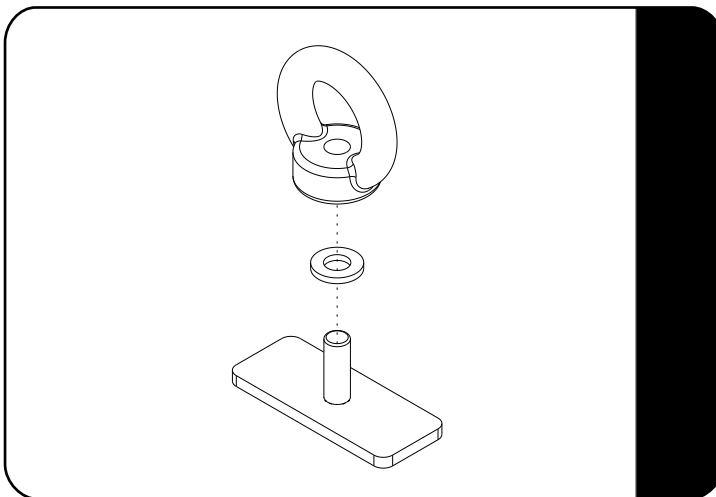
FIT AND SECURE

2.1



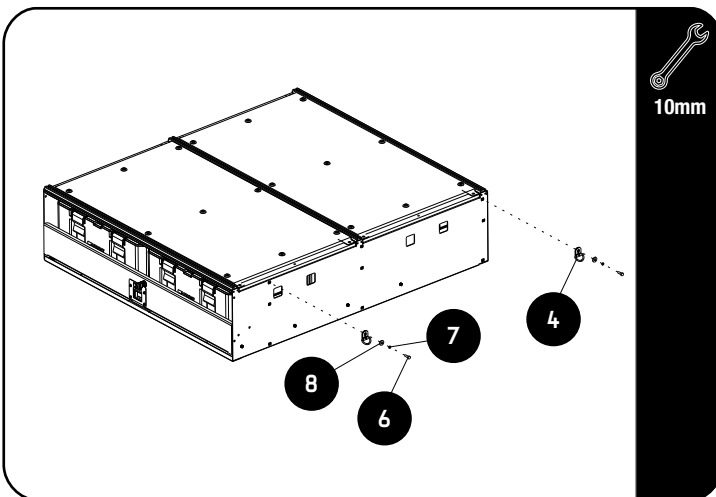
Loosen the round end of the Turn Bucle (Item 5). Screw a M6 Wing Nut (Item 3) on to each round end of the Turn Bucle. Reassemble the Turn Bucle as shown. Do this with all 4 turn Bucles.

2.2



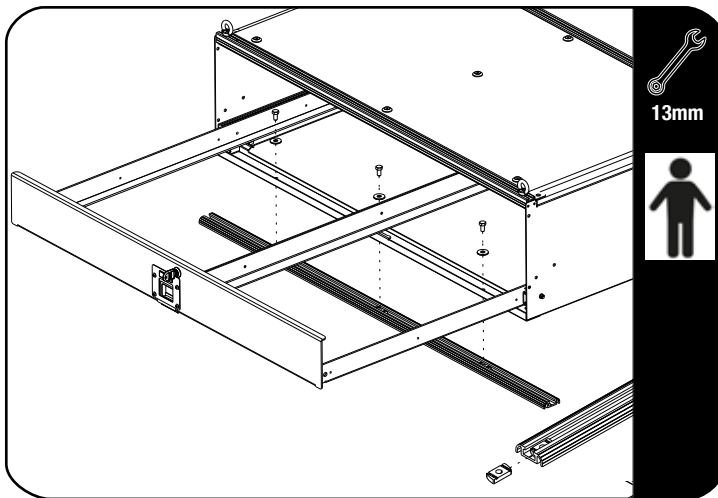
Assemble the M6 Eye Nuts and Nylon Washer (Item 8 & 10) to the Stud plate (Item 9) as shown. Do this with all 6 Eye nuts
Keep the Eye Nut Assembly aside for use later in 2.7.

2.3



Assemble two D-Rings (Item 4) to either side of the Drawer as shown using the M6 x 20 Hex Bolts, M6 x 19 Flat Washer and M6 Spring Washer as shown (Item 6,7 & 8).

2.4



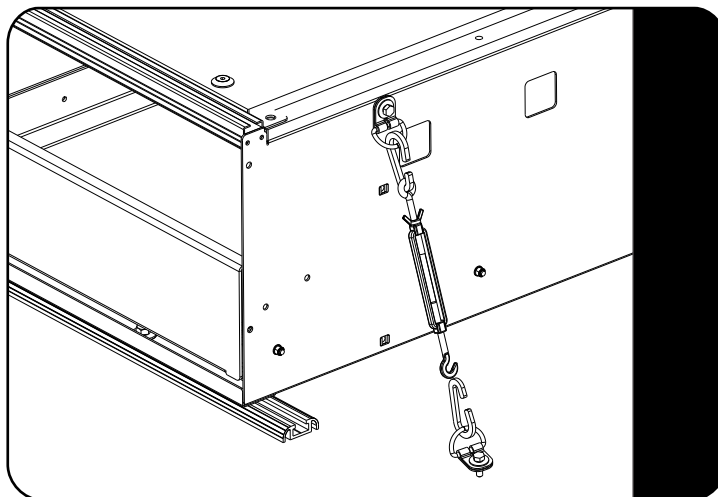
Slide the 3 channel Nuts (Item 16) into the Track (Item 17). Place the Track under the Front cross strap of the Drawer. Line the 3 channel nuts inside the track up with the mounting holes in the cross strap as shown.

Loosely secure the track in position using the 3-M8 x 16 Hex Bolts and 3-M8 x 25 flat washers (Item 13, & 15)

Center the Track left to right and fasten the M8 x 16 Hex bolt (Item 13)

Using a Friend place the Drawer system in the vehicle and position as desired.

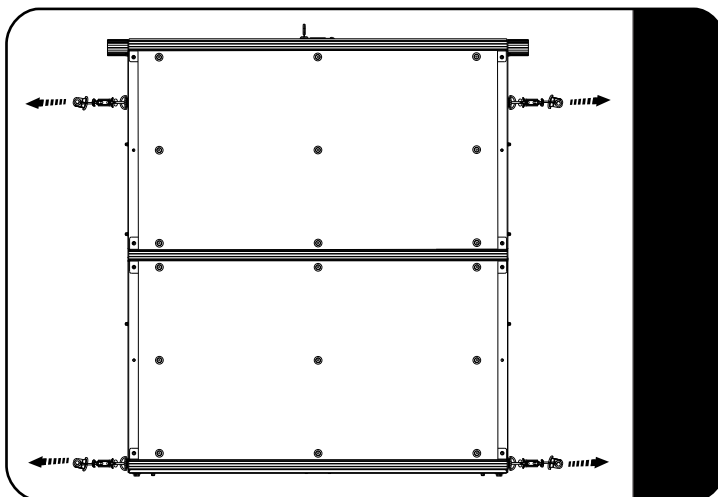
2.5



Connect a turn Buckle and C-Hook (Item 12) to each of the D-Rings (Item 4) assembled to the drawer system in step 2.3

Using the Factory mounting points in the Vehicle Secure the D-Ring to the mounting point. The Turn Buckle will attach to the D-Ring As shown.

2.6



With the Turn Buckles and C-Hooks in position, work out how best to secure the "hook end" of the turn Buckle to the vehicle.

Referring to the image as shown, note that the Turn Buckles must all pull away from each other in order to prevent the Drawer System from moving once secured into position.

You may require additional fasteners and tools at this stage in order to create suitable mounting points.

Once you have the four mounting points on your vehicle, secure the Drawer to the vehicle by tightening the 4 Turn Buckles. Once the Drawer is secure in position tighten the wing nuts on the Turn Buckles and bolts securing the D-rings to the Drawer and the vehicle's load bay.

3

COMPLETION

3.1

Congratulations! You did it. Take a step back and admire your work!



4





INSTALL OTHER VEHICLE AND RACK ACCESSORIES

Now's the time to visit your favorite Front Runner dealer in person or online.

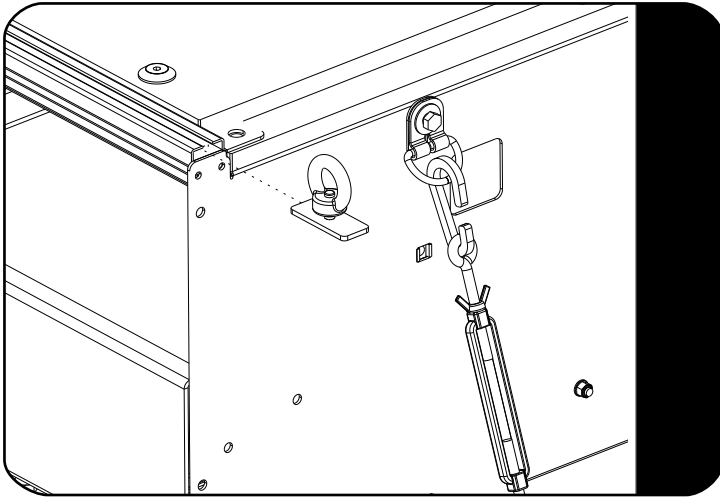
IMPORTANT!

FRONT RUNNER RACK KITS OFTEN HAVE A HIGHER LOAD RATING THAN THE VEHICLES THEY ARE MOUNTED TO. PLEASE REFER TO YOUR SPECIFIC VEHICLE MANUFACTURER FOR A RECOMMENDED ROOF RATING. FRONT RUNNER CANNOT BE RESPONSIBLE FOR IMPROPER LOADING BEYOND THE VEHICLE MANUFACTURER'S STATED LOAD CAPACITY.

Be sure to tag us. We love to see our gear in action! #FrontRunnerOutfitters #BornToRoam

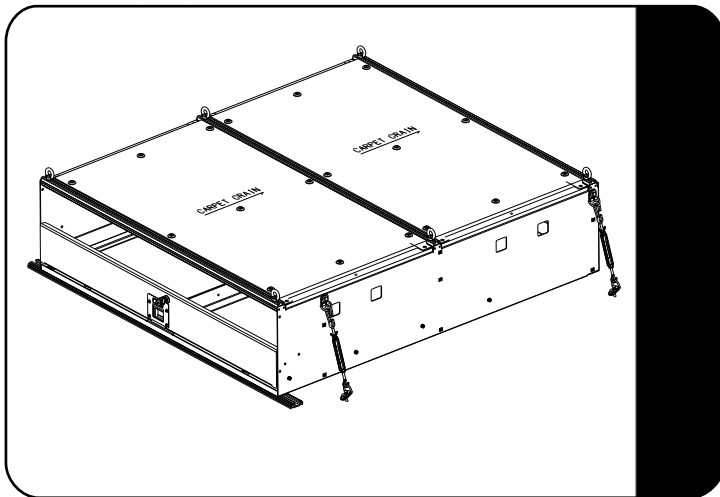
Share your adventures on:    

2.7



Should you wish to use the Eye Nut assemblies from step 2.2 as tie down points, they can be slid into any of the 3 top extrusions as shown and tighten in the required position.

2.8



Congratulations you have completed your installation.