**READ ME !** 

Thank you for purchasing a Front Runner Base Deck.

Before you start, take a moment to familiarize yourself with the Fitting Instructions and the components received.

Refer to Page 2 for a list of all the components, quantities and tools required.

**IMPORTANT WARNING!** 

IT IS CRITICAL THAT ALL FRONT RUNNER PRODUCTS BE PROPERLY AND SECURELY ASSEMBLED AND ATTACHED TO YOUR VEHICLE. IMPROPER ATTACHMENT COULD RESULT IN AN AUTOMOBILE ACCIDENT, AND COULD CAUSE SERIOUS BODILY INJURY OR DEATH. YOU ARE RESPONSIBLE FOR ASSEMBLING AND SECURING ALL FRONT RUNNER PRODUCTS TO YOUR VEHICLE, CHECKING THE ATTACHMENTS PRIOR TO USE, AND PERIODICALLY INSPECTING THE PRODUCTS FOR ADJUSTMENT, WEAR AND DAMAGE. THEREFORE, YOU MUST READ AND UNDERSTAND ALL OF THE INSTRUCTIONS AND PRECAUTIONS SUPPLIED WITH YOUR FRONT RUNNER PRODUCT PRIOR TO INSTALLATION OR USE. IF YOU DO NOT UNDERSTAND ALL OF THE INSTRUCTIONS AND CAUTIONS, OR IF YOU HAVE NO MECHANICAL EXPERIENCE AND ARE NOT THOROUGHLY FAMILIAR WITH THE INSTALLATION PROCEDURES, YOU SHOULD HAVE THE PRODUCT INSTALLED BY A PROFESSIONAL INSTALLER OR OTHER QUALIFIED PERSONNEL.

**NOTE:** Front Runner will not be responsible for any damage caused by the failure to install the product according to these instructions.

Please call us if you have any questions about the installation of this product.

# 1

## GET ORGANIZED

### IN THE BOX

1	1 X	Front Deck
2	1 X	Rear Deck Assembly
3	4 X	Back Foot Assembly
4	2 X	Middle Foot Assembly 01
5	1 X	Middle Foot Assembly 02
6	2 X	Front Foot Assembly
7	18 X	M6 x 25 Countersink Bolt
8	4 X	M6 x 12 x 1 Flat Washer
9	4 X	M6 x 20 x 2 Flat Washer
10	4 X	M6 x 16 Button Head Bolt
11	4 X	M6 Nyloc Nut

### IN THE BOX

12	2 X	Short Support Bracket
13	2 X	Tall Support Bracket

### TOOLS NEEDED

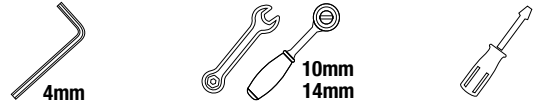
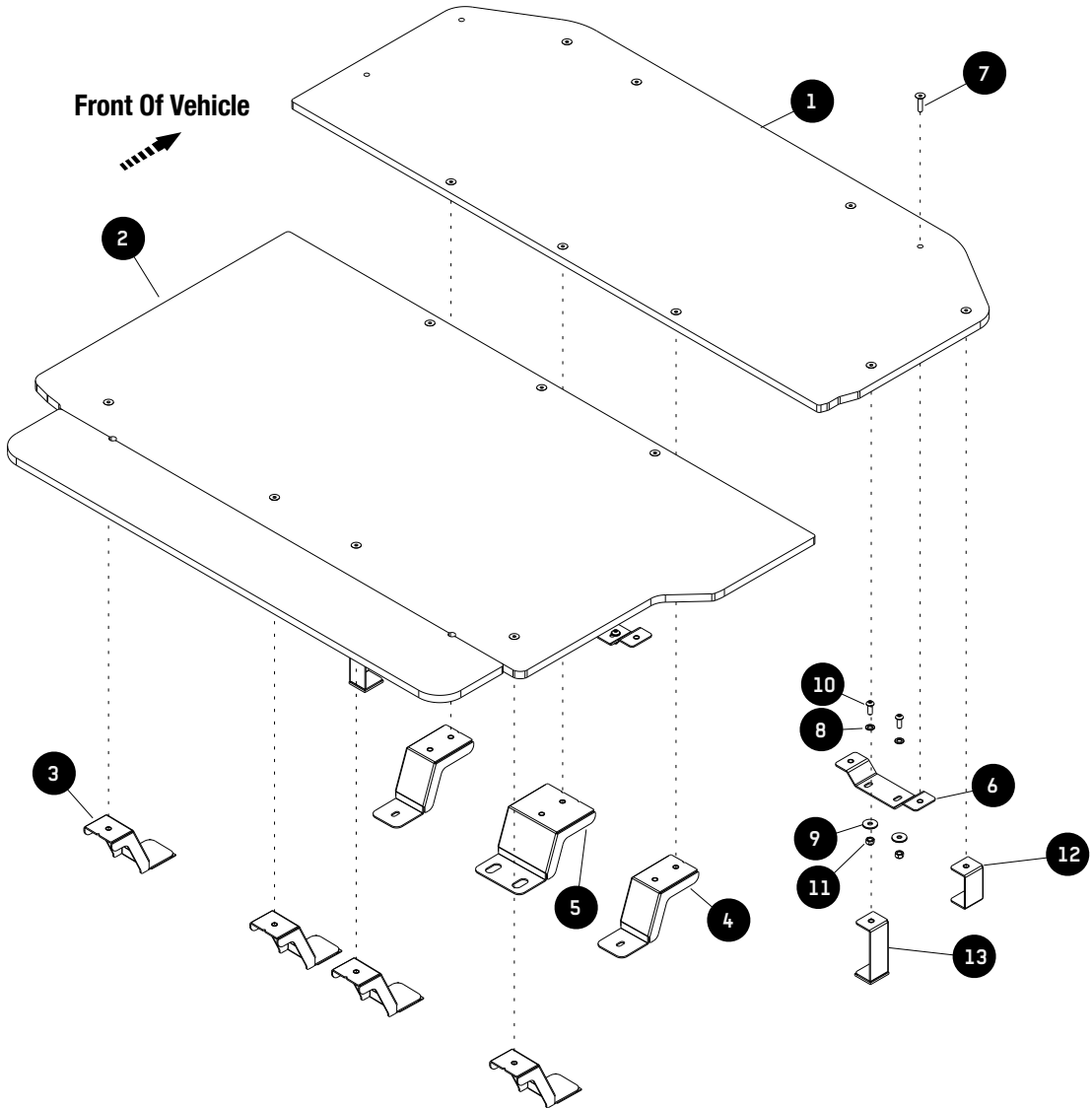


FIGURE 1.1



## 2

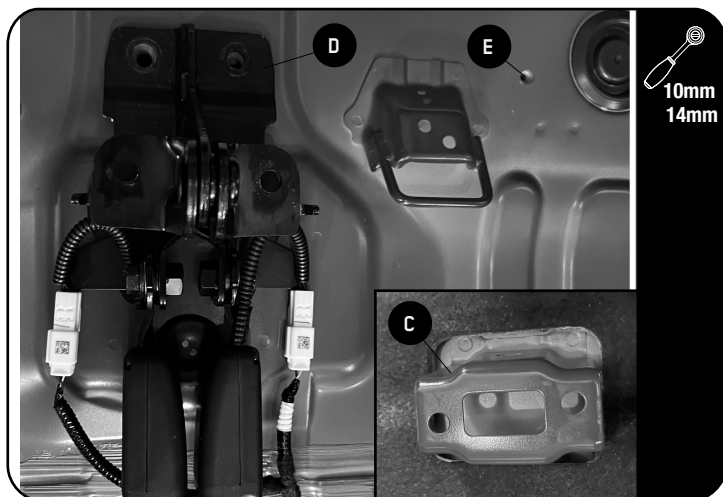
## FIT AND SECURE

2.1



Before you start the fitment, remove the second row of seats (A) and remove the carpeted cover (B) to reveal the OEM Mounting Points.

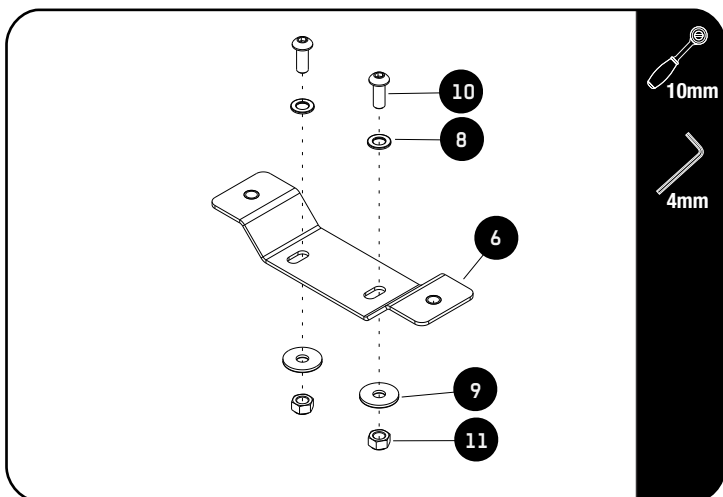
2.2



Remove caps on the front OEM Raised Mounting Points (C) and the seatbelt assembly in the middle (D). Remember to disconnect the wiring from the assembly before removing completely.

After removing the seats in step 2.1 the seat OEM Mounting Points (E) should be clear.

2.3

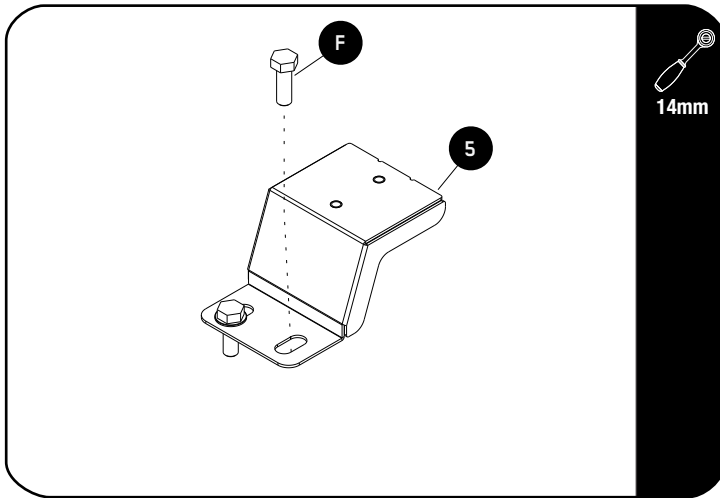


Loosely assembly the two Front Foot Assemblies (Item 6) using the M6 x 16 Button Head Bolts (Item 10) and the M6 x 12 x 1 Flat Washers (Item 8) on top and the M6 x 20 x 2 Flat Washers (Item 9) and M6 Nyloc Nuts (Item 11) inside the OEM Raised Mounting Point (C), shown in Step 2.2.

2

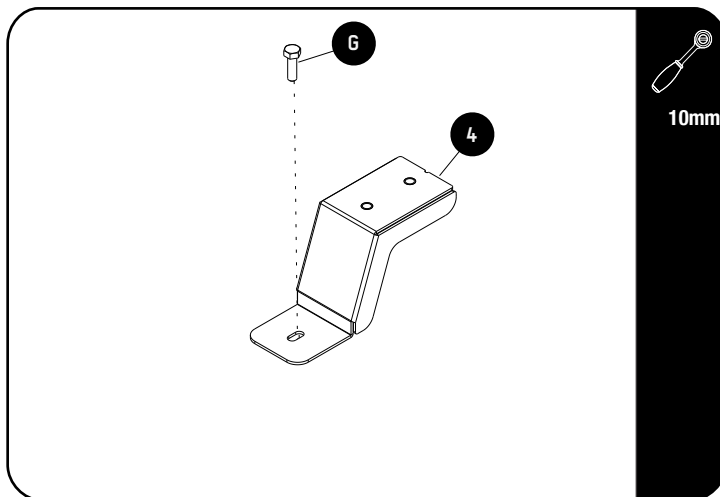
**FIT AND SECURE**

2.4



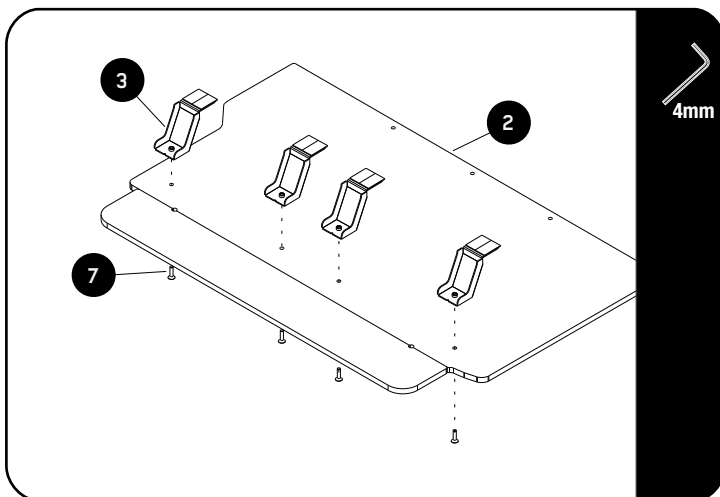
Loosely assemble the Middle Foot Assembly 02 (Item 5) to the seatbelt OEM Mounting Point (D) - utilizing the back holes - using two OEM Hex Bolts (F) that fastened the seatbelt bracket to the vehicle, shown in Step 2.2. Refit the remaining two Hex Bolts in the remaining holes.

2.5



Loosely secure the two Middle Foot Assemblies 01 (Item 4) to the seat OEM Mounting Point (E) using the two OEM Hex Bolts (G), shown in Step 2.2.

2.6

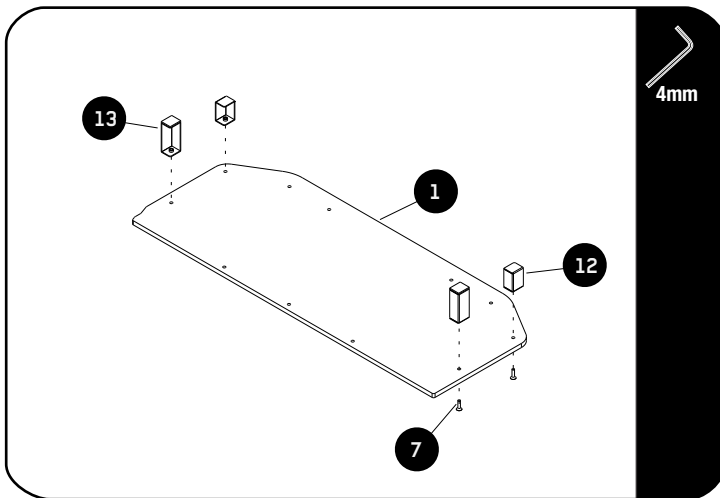


On a flat surface lay the Rear Deck Assembly (Item 2) carpet facing down. Secure the four Back Foot Assemblies (Item 3) to the Deck using four M6 x 25 Countersink Bolts (Item 7).

Do not remove the VHB Tape backing yet.

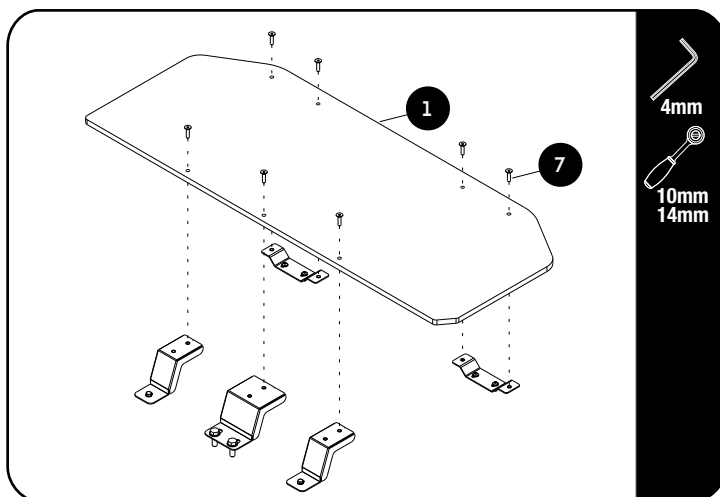
## 2 FIT AND SECURE

2.4



On a flat surface lay the Front Deck (Item 1) carpet facing down. Secure the two Short Support Brackets (Item 12) and the two Tall Support Brackets (Item 13) to the Deck using four M6 x 25 Countersink Bolts (Item 7), as shown.

2.5



Align the Front Deck (Item 1), assembled in the previous step with the Mounting holes of the corresponding foot assemblies.

Secure the Front Deck (Item 1) to the Front and Middle Feet using the M6 x 25 Countersink Bolts (Item 7).

Before tightening the Countersink Bolts, tighten all the fasteners securing the feet to the vehicle.



**Tightening Torque:**

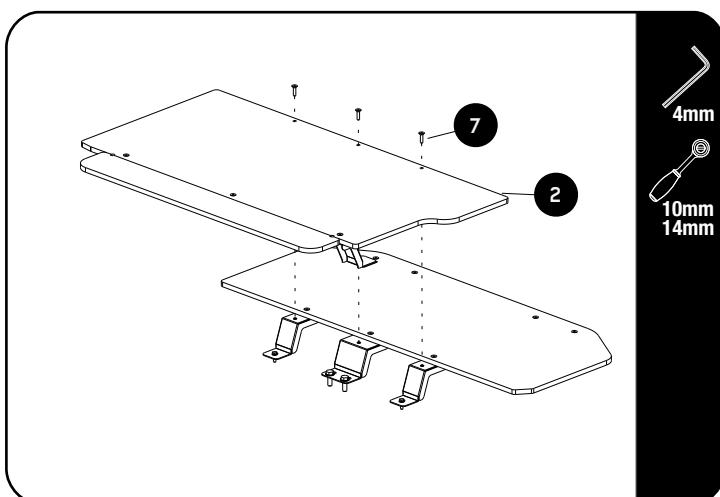
M6 : 8-10Nm / 5.9 ft lb - 7.38 ft lb



**Tightening Torque:**

M10 : 40-45Nm / 29.50 ft lb - 33.19 ft lb

2.6



Align the Rear Deck Assembly (Item 2) with the remaining Mounting holes of the Middle feet.

Before securing the deck, remove the VHB Tape Backing of the Rear Feet.

Secure the Rear Deck Assembly (Item 2) to the Middle Feet using the M6 x 25 Countersink Bolts (Item 7).

Press down on the Rear Feet to secure.



**Tightening Torque:**

M6 : 8-10Nm / 5.9 ft lb - 7.38 ft lb

3

### FINISH

Congratulations! You did it. Take a step back and admire your work!

4

### INSTALL OTHER VEHICLE AND RACK ACCESSORIES

Now's the time to visit your favorite Front Runner Dealer in person or online.

Be sure to tag us. We love to see our gear in action! #FrontRunnerOutfitters #BornToRoam

Share your adventures on:

