

## READ ME ! ⚠

Thank you for purchasing a Spare Wheel Mounted Shelf.

Before you start, take a moment to familiarize yourself with the Fitting Instructions and the included components.

Refer to Page 2 for a list of all the components, quantities and tools required.

## IMPORTANT WARNING! ⚠

IT IS CRITICAL THAT ALL FRONT RUNNER PRODUCTS BE PROPERLY AND SECURELY ASSEMBLED AND ATTACHED TO YOUR VEHICLE. IMPROPER ATTACHMENT COULD RESULT IN AN AUTOMOBILE ACCIDENT, AND COULD CAUSE SERIOUS BODILY INJURY OR DEATH. YOU ARE RESPONSIBLE FOR ASSEMBLING AND SECURING ALL FRONT RUNNER PRODUCTS TO YOUR VEHICLE, CHECKING THE ATTACHMENTS PRIOR TO USE, AND PERIODICALLY INSPECTING THE PRODUCTS FOR ADJUSTMENT, WEAR AND DAMAGE. THEREFORE, YOU MUST READ AND UNDERSTAND ALL OF THE INSTRUCTIONS AND PRECAUTIONS SUPPLIED WITH YOUR FRONT RUNNER PRODUCT PRIOR TO INSTALLATION OR USE. IF YOU DO NOT UNDERSTAND ALL OF THE INSTRUCTIONS AND CAUTIONS, OR IF YOU HAVE NO MECHANICAL EXPERIENCE AND ARE NOT THOROUGHLY FAMILIAR WITH THE INSTALLATION PROCEDURES, YOU SHOULD HAVE THE PRODUCT INSTALLED BY A PROFESSIONAL INSTALLER OR OTHER QUALIFIED PERSONNEL.

**NOTE:** Front Runner will not be responsible for any damage caused by the failure to install the product according to these instructions.

Please call us if you have any questions about the installation of this product.

# 1

## GET ORGANIZED

### IN THE BOX

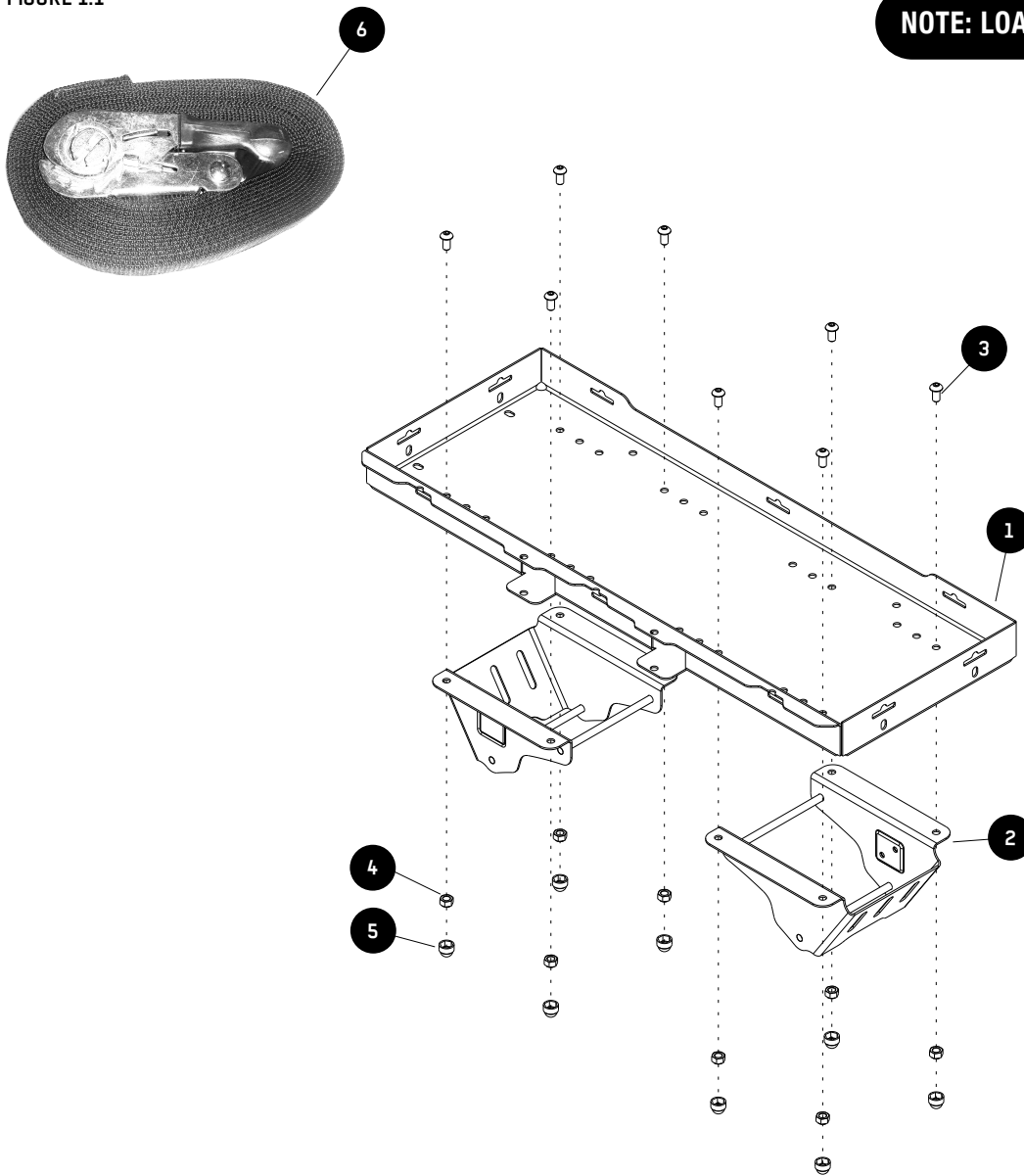
1	1 X	Universal Shelf
2	2 X	Foot Assembly
3	8 X	M6 x 16 Button Head Bolt
4	8 X	M8 Nyloc Nut
5	8 X	M8 Nut Cap
6	1 X	Endless Ratchet Strap - 25mm x 5m

### TOOLS NEEDED



FIGURE 1.1

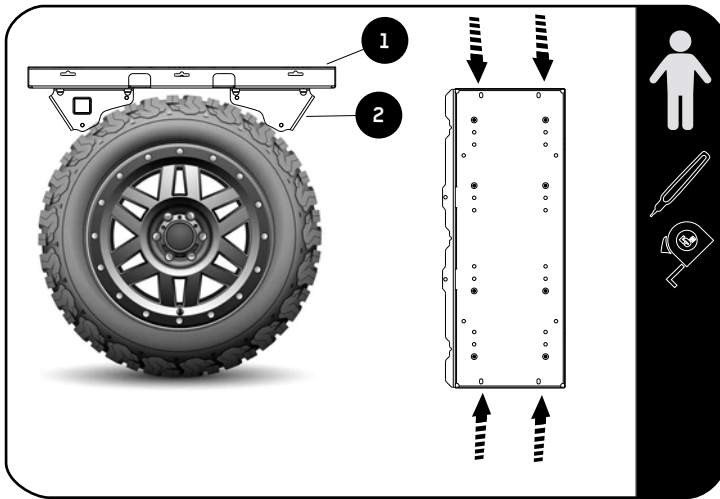
**NOTE: LOAD RATING - 20KG!**



## 2

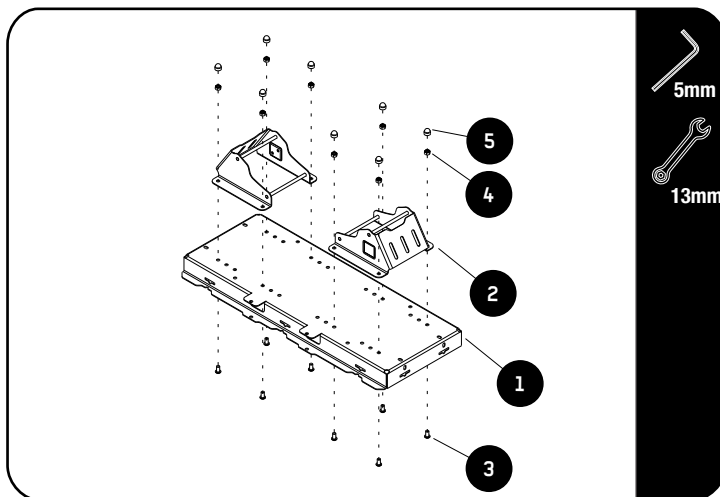
## FIT AND SECURE

2.1



With the help of a friend, hold the Foot assemblies on top the spare wheel as shown. Place the Universal Tray (Item 1) on the Foot Assemblies (Item 2) and centralize on the wheel. Mark the holes on the Tray that best suit the desired height of the tray, as well as the wheel size.

2.2



On a suitable surface, lay the Universal Tray (Item 1) facing down. Loosely assemble the two Foot Assemblies (Item 2) to the outside of the Tray using four M8 x 16 Button Head Bolts and four M8 Nyloc Nuts (Items 3 & 4).

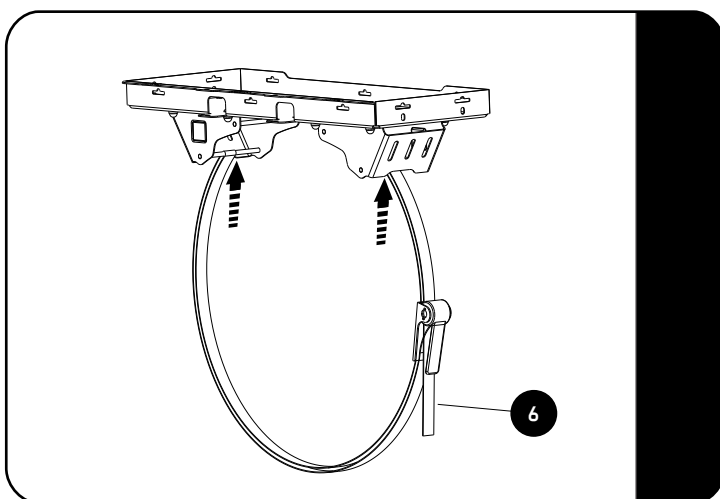
Tighten all fasteners and place M8 Nut Caps (Item 5) on all M8 Nyloc Nuts.



### Tightening Torque:

M8 : 15-20Nm / 11.06 ft lb - 14.75 ft lb

2.3



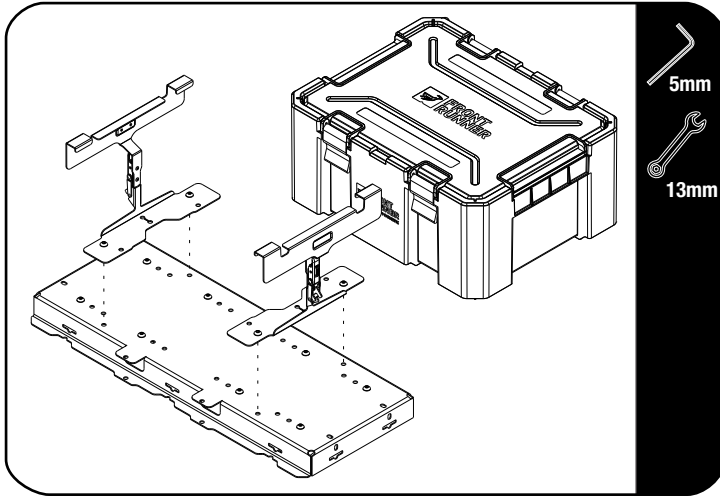
Feed the non-ratchet end of the Ratchet Strap (Item 6) over and around the first pin on one Foot and then around the same pin on the second foot. Place the shelf on the wheel and loop the strap around the wheel. Tighten the strap using the ratchet and ensure that the strap is tight enough to not slip when weight is applied.

Check that the shelf is level and centralized on the tire, that it is snug and that nothing interferes with the operation of the wipers etc.

2

## FIT AND SECURE

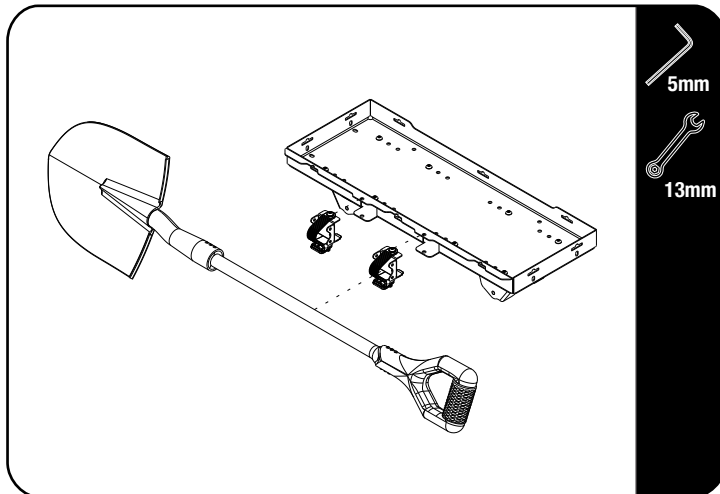
2.4



The shelf can be inverted to fit a Wolf Pack Pro (SBOX031) using a Wolf Pack Pro Mounting Bracket (RRAC257).

Both Sold Separately.

2.5



On the front of the shelf, a Spade (REQU049) can be mounted using a Ratcheting Spade Mount (RRAC024).

Both Sold Separately.

3

## FINISH

Congratulations! You did it. Take a step back and admire your work!

4

## INSTALL OTHER VEHICLE AND RACK ACCESSORIES

Now's the time to visit your favorite Front Runner Dealer in person or online.

Be sure to tag us. We love to see our gear in action! #FrontRunnerOutfitters #BornToRoam

Share your adventures on:    