

START HERE!

READ ME FIRST

Don't be a hero and muscle through this installation without reading these fitting instructions first! Improper installation of this gear may void certain aspects of your warranty.

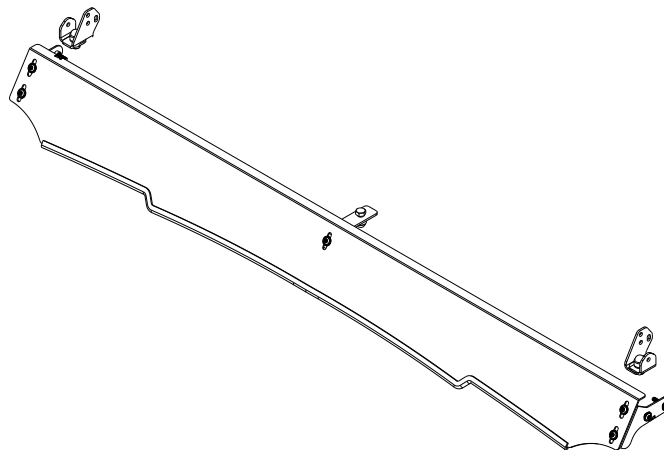
Before you begin, take a moment and open all your Front Runner rack kit boxes and gather the assembly instructions for the various components.

A complete kit will contain:

1. A Front Runner Mounting System specific to your vehicle
2. A Front Runner Rack Tray or Load Bar Slats

This document will guide you through the assembly of the mounting system and assist you in fitting the roof rack tray or load bars to your specific vehicle.

Please refer to the next page for a list of all the components, quantities and tools required.



IMPORTANT WARNING! ⚠️

IT IS CRITICAL THAT ALL FRONT RUNNER PRODUCTS BE PROPERLY AND SECURELY ASSEMBLED AND ATTACHED TO YOUR VEHICLE. IMPROPER ATTACHMENT COULD RESULT IN AN AUTOMOBILE ACCIDENT, AND COULD CAUSE SERIOUS BODILY INJURY OR DEATH. YOU ARE RESPONSIBLE FOR ASSEMBLING AND SECURING ALL FRONT RUNNER PRODUCTS TO YOUR VEHICLE, CHECKING THE ATTACHMENTS PRIOR TO USE, AND PERIODICALLY INSPECTING THE PRODUCTS FOR ADJUSTMENT, WEAR AND DAMAGE. THEREFORE, YOU MUST READ AND UNDERSTAND ALL OF THE INSTRUCTIONS AND PRECAUTIONS SUPPLIED WITH YOUR FRONT RUNNER PRODUCT PRIOR TO INSTALLATION OR USE. IF YOU DO NOT UNDERSTAND ALL OF THE INSTRUCTIONS AND CAUTIONS, OR IF YOU HAVE NO MECHANICAL EXPERIENCE AND ARE NOT THOROUGHLY FAMILIAR WITH THE INSTALLATION PROCEDURES, YOU SHOULD HAVE THE PRODUCT INSTALLED BY A PROFESSIONAL INSTALLER OR OTHER QUALIFIED PERSONNEL.

NOTE: Front Runner will not be responsible for any damage caused by the failure to install the product according to these instructions.

Please call us if you have any questions about the installation of this product.



1 GET ORGANIZED

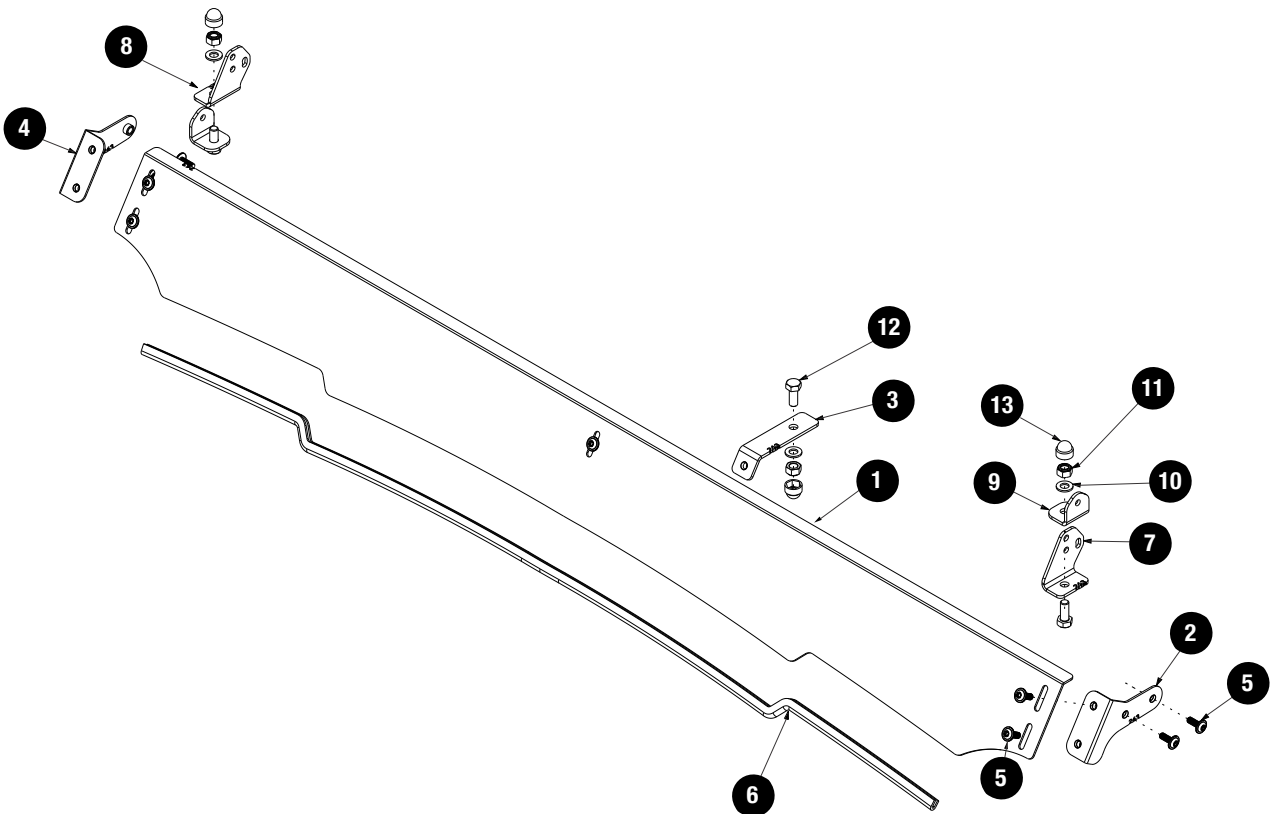
IN THE BOX

- 1 1 X STD Wind Fairing
- 2 1 X Wind Fairing Support - Outer Bracket LHS
- 3 1 X Wind Fairing Center Support Bracket
- 4 1 X Wind Fairing Support - Outer Bracket RHS
- 5 9 X Button Head Flange M6 x 26
- 6 1 X Wind Fairing Rubber (1050mm long)
- 7 1 X Light Bar Bracket 01 LHS
- 8 1 X Light Bar Bracket 01 RHS
- 9 2 X Light Bar Bracket 02
- 10 3 X M8 x 16 x 1.6 Flat Washer
- 11 3 X M8 Nyloc Nut
- 12 3 X M8 x 20 Hex Bolt
- 13 3 X M8 Nut Cap

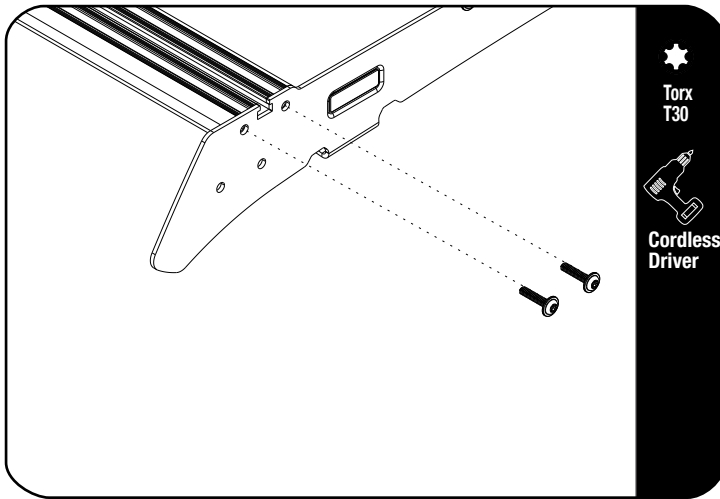
TOOLS NEEDED



Cordless Driver



2.1



Start by undoing the bolts on the front of the Roof rack holding the front slat in place using a T30 Torque bit.

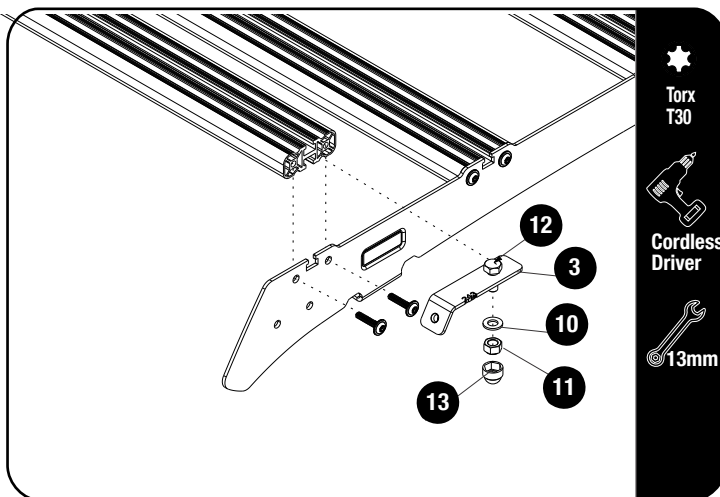
Remove the front slat.

Torx
T30



Cordless
Driver

2.2



Slide the M8 x 20 Hex Bolt (Item 12) into the slat as shown.

Place the Wind Fairing Center Support Bracket (Item 3) over the M8 x 20 Hex Bolt (Item 12) with the M8 Flat washer and M8 Nyloc Nut (Item 10 & 11)

Slide the Wind Fairing Center Support Bracket to the center of the slat.

Refit the Slat to the Roof Rack and tighten the side T30 Torx

Torx
T30

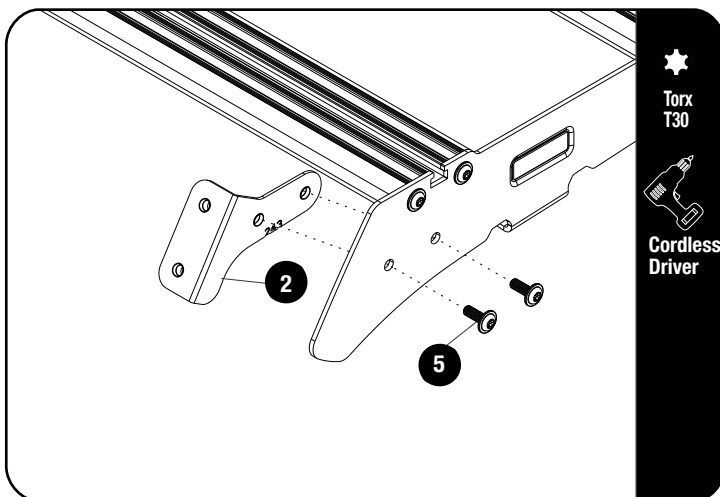


Cordless
Driver



13mm

2.3



Assemble the Wind Fairing Outer Support Bracket (Item 2) Left and Right side with the M6 x 16 Button Head Flange Bolt (Item 5) as shown.

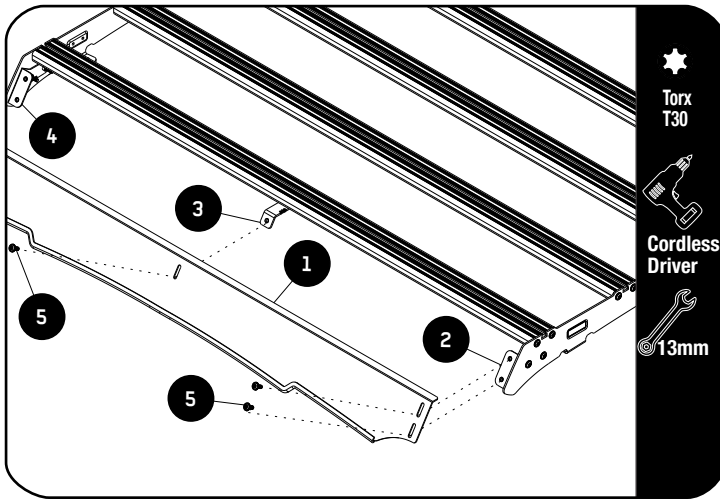
Torx
T30



Cordless
Driver

2**FIT AND SECURE**

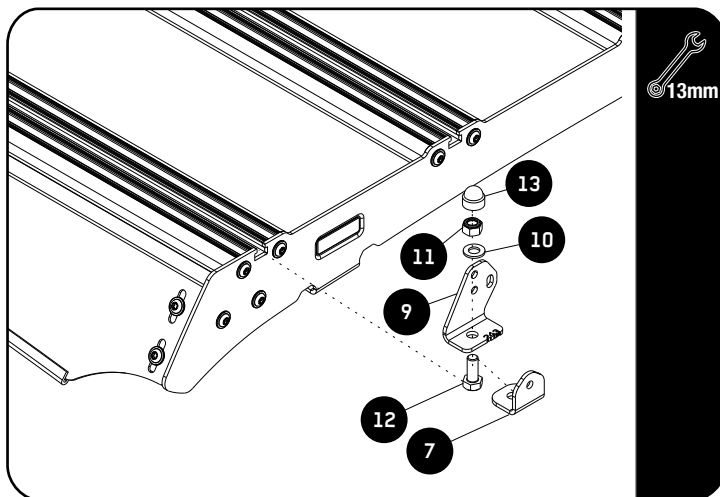
2.1



Assemble the Wind Fairing (Item 1) to the Support Brackets (Item 2, 3 & 4) using the M6 x 16 Button Head Flange Bolts using a T30 Torx as shown.

Fully tighten the M8 Nyloc Nut that was inserted in 2.2.

2.2

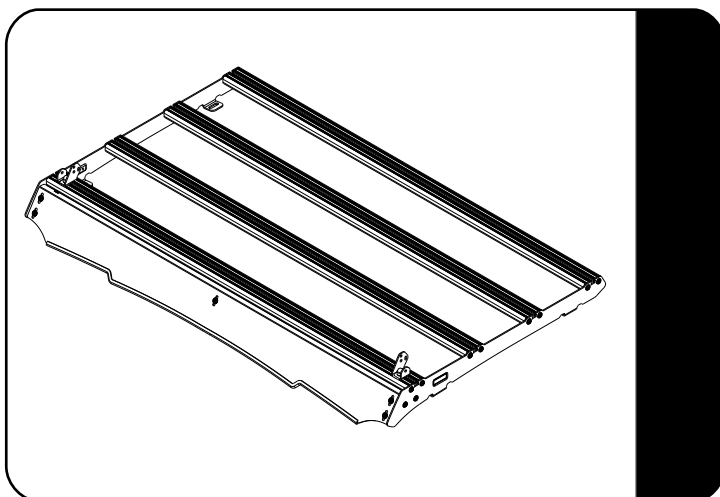


If you would want to fit a Light Bar with the Wind Fairing Slide the M8 x 20 Hex bolt (Item 12) into the Front Slat that was removed in 2.1 as shown, with the Light Bar Bracket (Item 7) assembled together with the M8 Flat Washer and M8 Nyloc Nut (Item 10 & 11) as shown and fully tighten.

Place the M8 Nut Caps over the M8 Nyloc Nut (Item 10)

Do the same on the opposite side.

2.3



Congratulations you have completed the fitment.

4

COMPLETION

4.1

Congratulations! You did it. Take a step back and admire your work!



5

INSTALL OTHER VEHICLE AND RACK ACCESSORIES

Now's the time to visit your favorite Front Runner dealer in person or online.

IMPORTANT!

FRONT RUNNER RACK KITS OFTEN HAVE A HIGHER LOAD RATING THAN THE VEHICLES THEY ARE MOUNTED TO. PLEASE REFER TO YOUR SPECIFIC VEHICLE MANUFACTURER FOR A RECOMMENDED ROOF RATING. FRONT RUNNER CANNOT BE RESPONSIBLE FOR IMPROPER LOADING BEYOND THE VEHICLE MANUFACTURER'S STATED LOAD CAPACITY.

Be sure to tag us. We love to see our gear in action! #FrontRunnerOutfitters #BornToRoam

Share your adventures on: 