**READ ME !** 

Thank you for purchasing a Front Runner Pro Table Under Rack Bracket.

Before you start, take a moment to familiarize yourself with the Fitting Instructions and the included components.

Refer to Page 2 for a list of all the components, quantities and tools required.

IMPORTANT WARNING! 

IT IS CRITICAL THAT ALL FRONT RUNNER PRODUCTS BE PROPERLY AND SECURELY ASSEMBLED AND ATTACHED TO YOUR VEHICLE. IMPROPER ATTACHMENT COULD RESULT IN AN AUTOMOBILE ACCIDENT, AND COULD CAUSE SERIOUS BODILY INJURY OR DEATH. YOU ARE RESPONSIBLE FOR ASSEMBLING AND SECURING ALL FRONT RUNNER PRODUCTS TO YOUR VEHICLE, CHECKING THE ATTACHMENTS PRIOR TO USE, AND PERIODICALLY INSPECTING THE PRODUCTS FOR ADJUSTMENT, WEAR AND DAMAGE. THEREFORE, YOU MUST READ AND UNDERSTAND ALL OF THE INSTRUCTIONS AND PRECAUTIONS SUPPLIED WITH YOUR FRONT RUNNER PRODUCT PRIOR TO INSTALLATION OR USE. IF YOU DO NOT UNDERSTAND ALL OF THE INSTRUCTIONS AND CAUTIONS, OR IF YOU HAVE NO MECHANICAL EXPERIENCE AND ARE NOT THOROUGHLY FAMILIAR WITH THE INSTALLATION PROCEDURES, YOU SHOULD HAVE THE PRODUCT INSTALLED BY A PROFESSIONAL INSTALLER OR OTHER QUALIFIED PERSONNEL.

NOTE: Front Runner will not be responsible for any damage caused by the failure to install the product according to these instructions.

Please call us if you have any questions about the installation of this product.



1 GET ORGANIZED

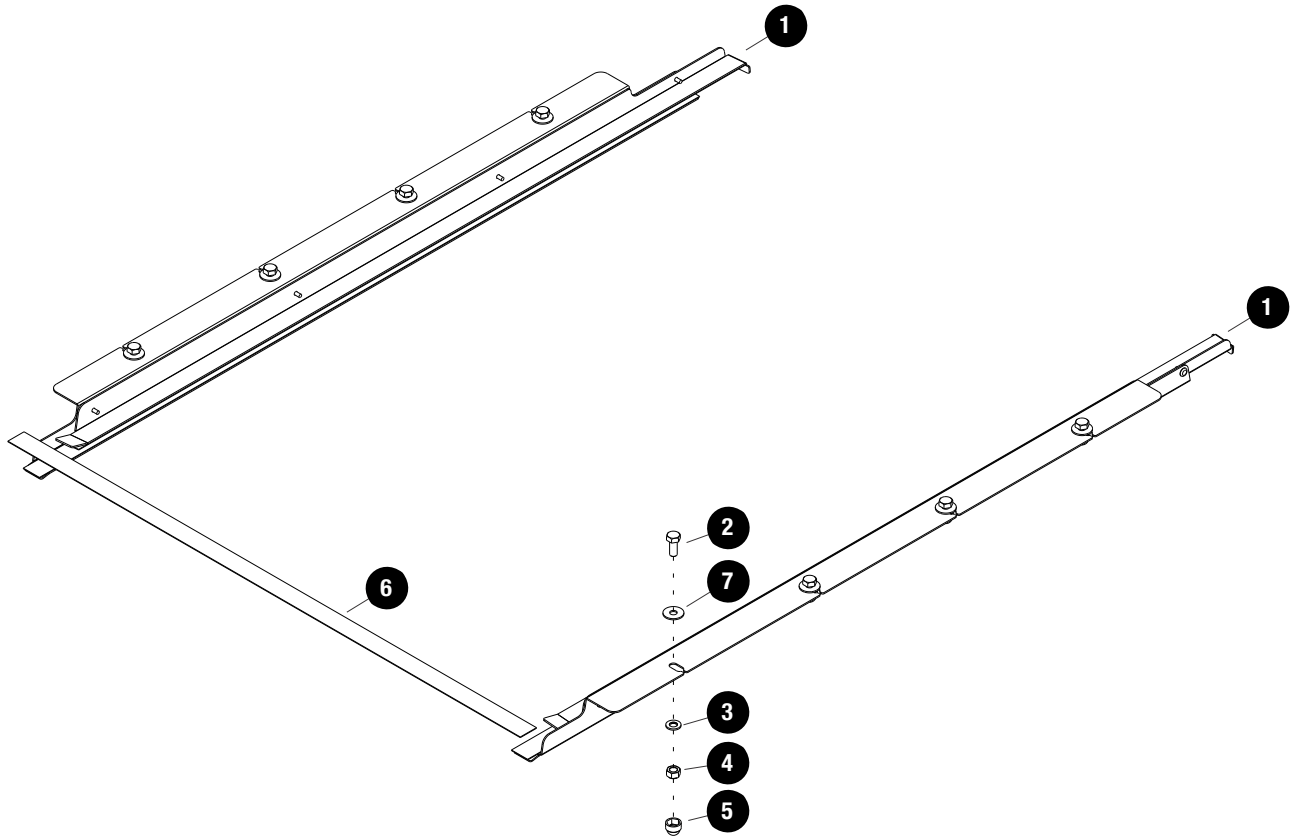
IN THE BOX

1	2 X	Table Rack Bracket 1LH + 1RH
2	8 X	M8 x 20 Hex Head Bolt
3	8 X	M8 x 16 x 1.6 Flat Washer
4	8 X	M8 Nyloc Nut
5	8 X	M8 Nut Cap
6	1 X	Velcro Tape 25mm Wide (760mm Long)
7	8 X	M8 Acetal Retaining Washer

TOOLS NEEDED



FIGURE 1.1

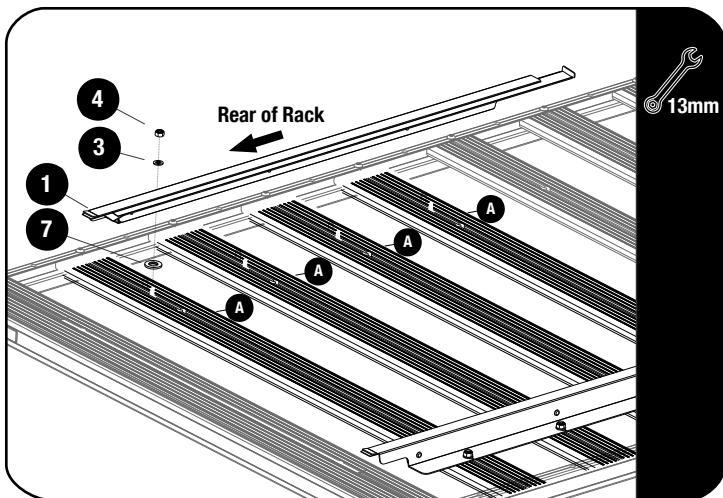


If you wish to mount your table at the rear of your rack, please refer to Section 2.

If your rack is mounted using a foot rail system and you wish to side mount your table, please refer to Section 3.

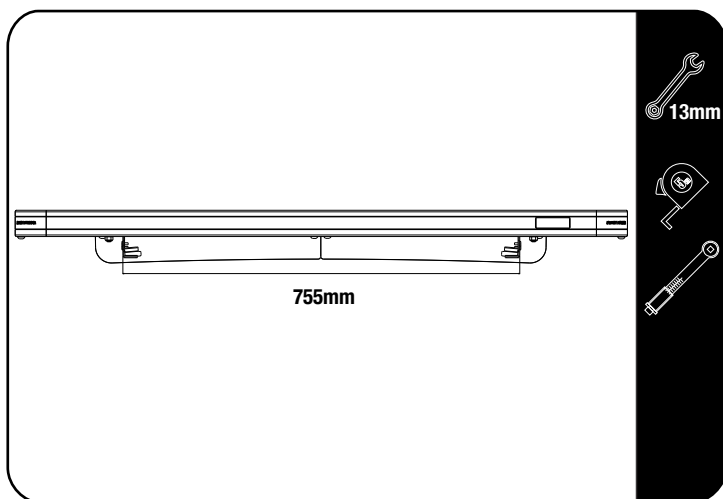
2**FIT AND SECURE - REAR MOUNT**

2.1



Working underneath and from the rear of the rack, slide four M8 x 20 Hex Bolts (Item 2) into the machined slots as shown (A). Press the M8 Acetal Retaining Washers (Item 7) onto the M8 x 20 Hex Bolts (Item 2). Loosely secure the Table Rack Brackets (Item 1) to the rack using M8 Nyloc Nuts & M8 x 16 x 1.6 Flat Washers (Items 3 & 4).

2.2

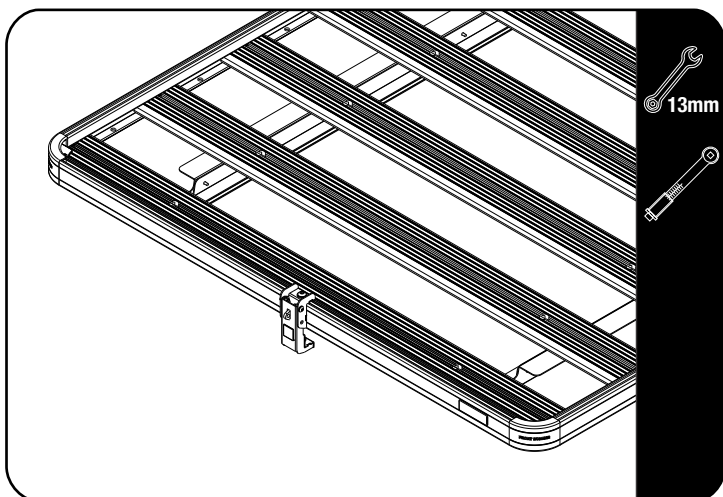


Space the two table slides 755mm apart from the center of the rack as shown. Tighten all the Nyloc Nuts.

**Tightening Torque:**

M8 : 15-20Nm / 11.06 ft lb - 14.75 ft lb

2.3



Refer to Fitment Guide RRAC249.

Open the latch by pushing on the latch and slide the table into position. Check that the table has no forward/backward movement when the latch is closed. If it does, loosen the Nyloc Nuts (Item 4) from diagram 2.1 and adjust so that the table has no movement in the slides when the latch is closed.

A Rack Accessory Lock (RRAC134) can be used through the hole in the latch should you wish to lock the table. The Velcro Tape is not needed for rear fitment.

**Tightening Torque:**

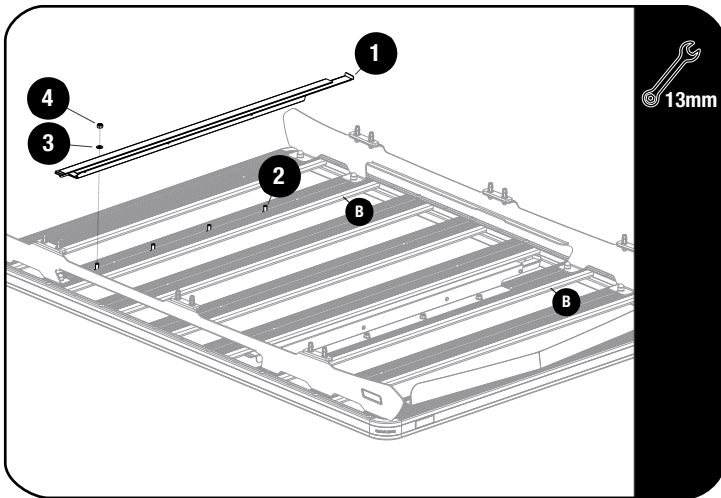
M8 : 15-20Nm / 11.06 ft lb - 14.75 ft lb

Place M8 Nut Caps (Item 5) over all Nyloc Nuts (Item 4).

3

FIT AND SECURE - SIDE MOUNT

3.1

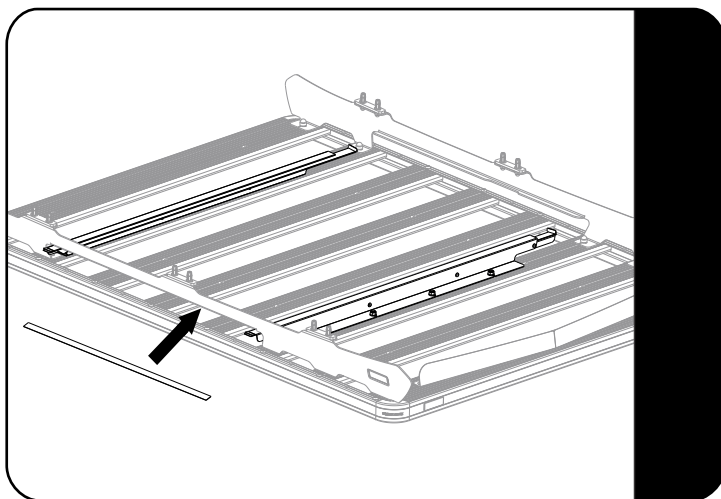


Use the slats appropriate to the opening in the footrail.



Insert four M8 x 20 Bolts (Item 2) into the slat as shown (B) through the machined slots. Press the M8 Acetal Retaining Washers (Item 7) onto the M8 x 20 Hex Bolts (Item 2). Loosely secure the Table Rack Brackets (Item 1) to the rack using the M8 Nyloc Nuts and M8 x 19 Flat Washers (Items 3 & 4) as shown.

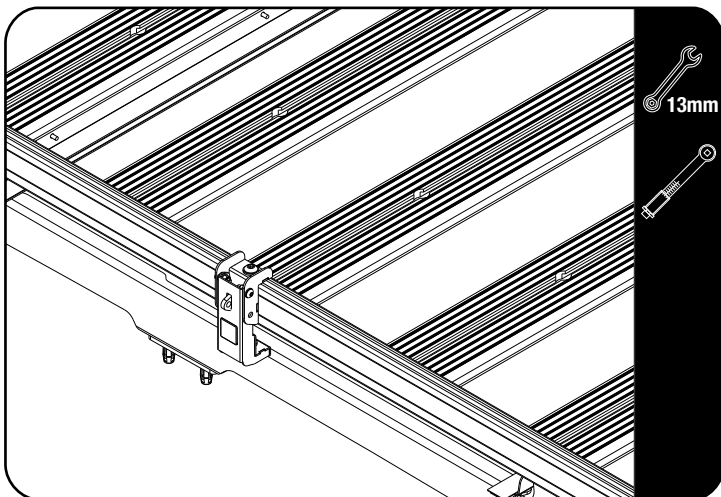
3.2



Space the two table slides 755mm apart and center them with respect to the cut-out in the foot rail. Tighten all the Nyloc Nuts.

Place the Velcro Strip (Item 6) onto the lip of the foot rail as indicated by the arrow in Fig 3.2.

3.3



Refer to Fitment Guide RRAC249.

Open the latch by pushing on the latch and slide the table into position. Check that the table has no forward/backward movement when the latch is closed. If it does, loosen the Nyloc Nuts (Item 4) from diagram 2.1 and adjust so that the table has no movement when the latch is closed.

A Rack Accessory Lock (RRAC134) can be used through the hole in the latch release should you wish to lock the table.



Tightening Torque:

M8 : 15-20Nm / 11.06 ft lb - 14.75 ft lb

Place M8 Nut Caps (Item 5) over all Nyloc Nuts (Item 4).

4

TABLE CARE



Keep your table clean and sparkling with these easy care instructions:

Add a small amount of dish soap to a damp cloth. Wipe the table gently. Dry the excess moisture with a dry towel.

5

FINISH

Congratulations! You did it. Take a step back and admire your work!

6

INSTALL OTHER VEHICLE AND RACK ACCESSORIES

Now's the time to visit your favorite Front Runner Dealer in person or online.

Be sure to tag us. We love to see our gear in action! #FrontRunnerOutfitters #BornToRoam

Share your adventures on: 